



allcraft
TRADE SOLUTIONS

**CONSTRUCTION
MATERIALS
PRODUCT CATALOGUE
2024**



OVERVIEW

QUALITY EQUIPMENT AND TOOLS FOR THE TRADE.

Allcraft Trade Solutions is a family-owned business with old-fashioned values and plain good sense. What's more, when you deal with Allcraft Trade Solutions you're dealing with a team of ex-contractors who know the construction game like the back of their hand. With experience like that, we've got the best solution even before you've told us the problem.

OUR CORE PURPOSE

TO SERVE ALL TRADES, PROVIDE ALL SOLUTIONS, HASSLE FREE

CONVENIENCE

WE STRIVE FOR CONVENIENCE IN ALL THINGS: OUR PRODUCT, OUR BUSINESS MODEL, AND OUR OFFICE SPACE. IT'S EASY TO FOCUS ON COMPLEXITY BUT ELIMINATING CUSTOMER FRICTION REQUIRES UNDERSTANDING OF THE FIELD. THE RESULT IS SOLUTIONS THAT ARE EFFICIENT AND CLEAR, EASIER TO UNDERSTAND, EASIER TO TRANSLATE TO DIFFERENT SITUATIONS AND SCALES, AND EASIER TO CHANGE LATER.

EFFICIENCY

WE ARE COMMITTED TO SUPPLY WHAT YOU NEED, WHEN YOU NEED. WE ARE CONSISTENT IN OUR DEALINGS WITH OUR CUSTOMERS, PRODUCT, AND ALL OTHER ASPECTS THAT WILL HELP YOU TO GET YOUR DAY-TO-DAY WORK DONE. BECAUSE WHEN WE SAY SERVICE, WE MEAN IT.

HASSLE FREE

TO SERVICE THE NEEDS OF THE CONSTRUCTION INDUSTRY WITH QUALITY PRODUCTS AND EXCELLENCE IN CUSTOMER SERVICE, ALLCRAFT TRADE SOLUTIONS OFFERS ON-SITE DELIVERY TO ALL PARTS OF AUSTRALIA, ALLOWING TRADES TO STAY ON THE JOB IN ORDER TO GET THE PROJECT COMPLETED, RATHER THAN HAVING TO LEAVE SITE TO PICK UP NECESSARY ITEMS.

CONTENTS

4	BUILDERS FILM AND TAPE
5-7	EXPANSION AND KEYJOINT SYSTEMS
8-9	DOWELS, SLEEVES AND CRADLES
10-13	BARCHAIRS, BASE PLATES AND SPACERS
14	PREFABRICATION AND LIGATURES
15	REINFORCING MESH
16	REINFORCING BAR
16-17	WAFFLE POD AND BIAx FOUNDATION SYSTEMS
18-23	FORMWORK SYSTEMS AND ACCESSORIES
24	Z BAR PRODUCTS
25	COIL TIES AND SOFFIT SPACERS
26-27	REDIWALL
28-29	DAMPCOURSE AND FOAM BACKING ROD
30-31	BRICKTOR, TIES AND STRAPPING
32-33	LINTELS
34	MISCELLANEOUS
35	PACKAGING AND STRAPPING MATERIALS
36	REPAIR MORTARS AND LEVELLING COMPOUNDS
37	GROUT
38-39	RETARDERS, CURING COMPOUNDS, REPAIR COMPOUNDS AND ACID
40-41	WATERPROOFING
42-43	FLOORING TREATMENTS
44-46	EPOXY, RESIN, ADHESIVES AND SEALANTS
47	CONCRETE, CEMENT AND PAINTS
48-49	BULK SUPPLIES
50-55	INDEX

BUILDERS FILM

BUILDERS FILM

ALL MEDIUM & HIGH IMPACT ARE MANUFACTURED TO AUSTRALIAN STANDARDS

PRODUCT CODE	DIMENSIONS	PRICE EXCL. GST			
		1-11	12-29	30-119	120+
BLACK 100 MICRON FILM - UNPRINTED					
P-B2100	2m x 100m x 100um	\$78.80	\$72.70	\$65.50	\$58.00
HIGH IMPACT - AUSTRALIAN STANDARD AS2870					
P-HI250B	2m x 50m x 200um	\$76.60	\$72.00	\$66.75	\$59.90
P-HI450B	4m x 50m x 200um	\$119.90	\$112.35	\$102.75	\$89.90
P-HI450O	4m x 50m x 200um Orange	\$119.90	\$112.35	\$102.75	\$89.90
P-HI425SO	4m x 25m x 300um Super Orange	\$162.00	\$156.60	\$151.75	\$142.80
CLEAR FILM - UNPRINTED					
P-C1400	1m x 400m x 50um	\$136.50	\$122.60	\$107.25	-
P-C2100	2m x 100m x 100um	\$108.00	\$100.60	\$94.25	-
P-C1200	1m x 200m x 100um	\$108.00	\$100.60	\$94.25	-



PLASTIC - HANDY ROLLS FILM



P-HR05200

PRODUCT CODE	DIMENSIONS	PRICE EXCL. GST		
		1 ROLL - 1 BOX	1 BOX - 4 BOXES	5+ BOXES
BLACK POLYTHENE ROLLS				
P-HR05200	2m x 5m x 200um	\$23.90	\$19.80	\$15.60
P-HR10200	2m x 10m x 200um	\$39.90	\$35.50	\$29.90
P-HR20200	2m x 20m x 200um	\$60.75	\$55.30	\$47.20
CLEAR POLYTHENE ROLLS				
P-HR05100	2m x 5m x 100um	\$19.15	\$16.90	\$13.95
P-HR10100	2m x 10m x 100um	\$36.60	\$33.80	\$27.10
P-HR20100	2m x 20m x 100um	\$58.90	\$53.85	\$44.55

MASKING & DUCT TAPE



DT-4830



MT-4850

PRODUCT CODE	DESCRIPTION	PRICE EXCL. GST		
		1-59	60-599	600+
MASKING & DUCT TAPE				
DT-4830	Duct Tape - 0.13mm x 48mm x 30m	\$4.30	\$3.20	\$2.30
MT-4850	Masking Tape - 48mm x 50m	\$5.50	\$4.95	\$3.45

LOOKING FOR DRAINS, GRATES & CHANNELS?



EXPANSION JOINT

POLYETHYLENE FOAM EXPANSION JOINT - ADHESIVE



FJ75S



- Adhesive-backed expansion joint filler
- Closed-cell polyethylene
- Very good compressive and recovery properties

PRODUCT CODE	DIMENSIONS	PACK QTY	PRICE EXCL. GST		
			1 ROLL - 1 PACK	1 PACK - 4 PACKS	5 + PACKS
POLYETHYLENE FOAM EXPANSION JOINT - ADHESIVE					
FJ50S	10mm x 50mm x 25m	24	\$21.80	\$18.60	\$17.50
FJ75S	10mm x 75mm x 25m	15	\$29.90	\$26.15	\$22.50
FJ100S	10mm x 100mm x 25m	12	\$38.25	\$31.50	\$27.50
FJ125S	10mm x 125mm x 25m	9	\$46.75	\$38.40	\$34.65
FJ150S	10mm x 150mm x 25m	8	\$53.95	\$47.60	\$41.60
FJ200S	10mm x 200mm x 25m	6	\$69.30	\$61.50	\$57.60
FJ250S	10mm x 250mm x 25m	4	\$88.60	\$80.30	\$74.60
FJ300S	10mm x 300mm x 25m	4	\$92.60	\$84.55	\$75.80

POLYETHYLENE FOAM EXPANSION JOINT - PLAIN



FJ75



- Closed-cell polyethylene
- Very good compressive and recovery properties

PRODUCT CODE	DIMENSIONS	PACK QTY	PRICE EXCL. GST		
			1 ROLL - 1 PACK	1 PACK - 4 PACKS	5 + PACKS
POLYETHYLENE FOAM EXPANSION JOINTING - GENERAL					
FJ50	10mm x 50mm x 25m	24	\$12.55	\$10.90	\$9.24
FJ75	10mm x 75mm x 25m	15	\$16.95	\$14.85	\$12.80
FJ100	10mm x 100mm x 25m	12	\$24.50	\$21.45	\$18.35
FJ125	10mm x 125mm x 25m	9	\$27.15	\$23.10	\$20.15
FJ150	10mm x 150mm x 25m	8	\$32.50	\$27.35	\$23.80
FJ200	10mm x 200mm x 25m	6	\$45.40	\$36.85	\$32.15
FJ250	10mm x 250mm x 25m	4	\$50.35	\$46.20	\$38.50
FJ300	10mm x 300mm x 25m	4	\$61.30	\$56.40	\$46.75

WE CAN ALSO SUPPLY THE FOAM EXPANSION JOINT UP TO 20MM THICK....



.....AND FOAM BACKING ROD IN A RANGE OF SIZES - SEE PAGE 28



SCAN ME

EXPLORE OUR FULL RANGE OF EXPANSION JOINT & KEYJOINT SYSTEMS ONLINE

EXPANSION JOINT - STIFF JOINTS

Features and Benefits:

- Rigid and stiff for straight joints.
- Resilient, rot proof, heat resistant.
- Economical and Light Weight.
- Can be easily cut with a utility knife.
- Non-Absorbent



PRODUCT CODE	DIMENSIONS	PACK	PRICE EX. GST	
			10-99	100+
STIFF JOINTS				
SJ-50	10mm x 50mm x 2.4m	10	\$6.05	\$5.45
SJ-75	10mm x 75mm x 2.4m	10	\$8.65	\$8.10
SJ-100	10mm x 100mm x 2.4m	10	\$11.20	\$10.40
SJ-125	10mm x 125mm x 2.4m	10	\$14.30	\$13.50
SJ-150	10mm x 150mm x 2.4m	10	\$17.05	\$16.25

EXPANSION & KEYJOINT

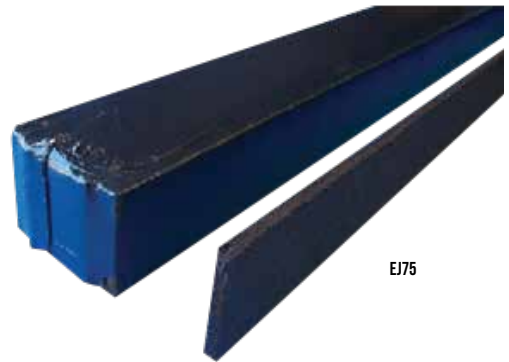
BITUMEN FIBRE EXPANSION JOINT



BIF Mastic is our Bitumen Impregnated Fibre Board. It is considered the best available worldwide.

Packaged in easy to handle black plastic packs, BIF Mastic is tough, light weight and does not swell or bleed.

BIF Mastic is simple to install and is available in a variety of pre-cut sizes or is effortlessly cut with a blade or wood saw.



EJ75



EJ100

PRODUCT CODE	DIMENSIONS	PACK QTY	PALLET QTY	PRICE EXCL. GST		
				1PK-9PKS	10PKS-1PALLET	1 PALLET +
BITUMEN FIBRE EXPANSION JOINT STRIPS						
EJ50	9.5mm x 50mm x 2.4m	20	2200	\$4.80	\$4.05	\$3.75
EJ75	9.5mm x 75mm x 2.4m	10	1400	\$7.95	\$6.85	\$5.40
EJ100	9.5mm x 100mm x 2.4m	10	1100	\$8.95	\$7.70	\$6.95
EJ125	9.5mm x 125mm x 2.4m	10	500	\$12.20	\$10.60	\$8.80
EJ150	9.5mm x 150mm x 2.4m	10	500	\$14.30	\$11.30	\$10.15
EJ200	9.5mm x 200mm x 2.4m	10	200	\$18.20	\$15.60	\$13.95
EJ300	9.5mm x 300mm x 2.4m	10	100	\$24.80	\$21.90	\$19.90
EJ900	9.5mm x 900mm x 2.4m	1	20	\$75.65	\$64.80	\$59.40

SELF-EXPANDING CORK - TYPE III

Very stable material that wont rot and is resistant to most chemicals and fuels.



PRODUCT CODE	DIMENSIONS	PRICE EXCL. GST	
		1-19.	20+
SELF-EXPANDING CORK			
CEJ-10	610mm x 915mm x 10mm	\$59.80	\$53.80
CEJ-12	610mm x 915mm x 12mm	\$70.70	\$63.60
CEJ-15	610mm x 915mm x 15mm	\$86.00	\$77.40
CEJ-20	610mm x 915mm x 20mm	\$112.40	\$101.10
CEJ-25	610mm x 915mm x 25mm	\$138.80	\$124.90

KEY JOINTS

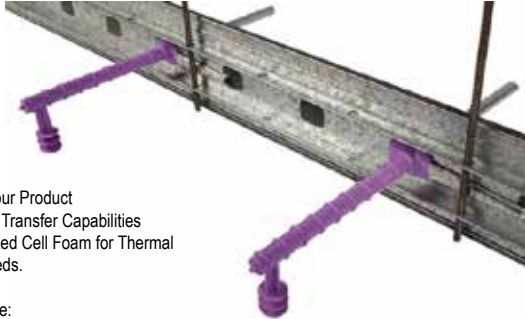
Continuous Pour Product Peg & Wedge set-up quickest on the market.
Cappings & Rebate moulds available
Available in 3m and 6m lengths.



PRODUCT CODE	DIMENSIONS	PRICE EXCL. GST		
		1-9	10-49	50+
KEYJOINT SYSTEM INCLUDES PEGS & WEDGES				
KJ3100	100mm x 3m	\$34.85	\$31.60	\$28.40
KJ3150	150mm x 3m	\$40.45	\$36.20	\$33.25
KJ3200	200mm x 3m	\$46.50	\$42.90	\$38.95
KJ3300	300mm x 3m	\$96.10	\$89.95	\$84.80
KJ6100	100mm x 6m	\$69.50	\$66.20	\$61.95
KJ6150	150mm x 6m	\$80.90	\$75.30	\$69.90
KJ6200	200mm x 6m	\$94.50	\$88.70	\$83.25

EXPANSION & KEYJOINT SYSTEM

EXPANSION KEY JOINTS



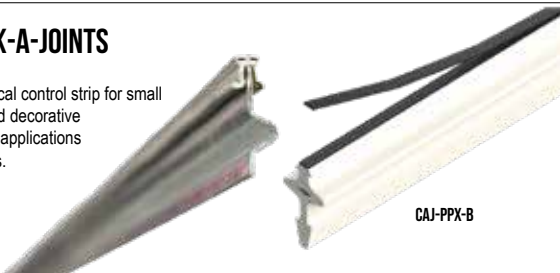
Continuous Pour Product
Superior Load Transfer Capabilities
P.E Cross Linked Cell Foam for Thermal Expansion needs.

The kits include:
Every Expansion Joint Board includes:
9 x Galvanised Dowels
9 x Dowel Sleeves
1 x 4pk of Pegs & Wedges

PRODUCT CODE	DIMENSIONS	PRICE EXCL. GST		
		1-9	10-99	100+
EXPANSION KEYJOINT SYSTEMS				
EXJ10030-B	100mm x 3m Expansion Board Only	\$45.00	\$42.75	\$38.60
EXJ12530-B	125mm x 3m Expansion Board Only	\$56.00	\$52.60	\$47.60
EXJ15030-B	150mm x 3m Expansion Board Only	\$85.00	\$79.60	\$69.90
EXJ20030-B	200mm x 3m Expansion Board Only	\$103.80	\$94.90	\$85.60
EXJ10030-C	100mm x 3m with 12mm Dowels and Accessories	\$89.80	\$74.50	\$69.60
EXJ12530-C	125mm x 3m with 16mm Dowels and Accessories	\$97.00	\$88.80	\$82.00
EXJ15030-C	150mm x 3m with 16mm Dowels and Accessories	\$114.50	\$106.50	\$98.70
EXJ20030-C	200mm x 3m with 24mm Dowels and Accessories	\$165.00	\$156.80	\$149.75

CRACK-A-JOINTS

Economical control strip for small pours and decorative concrete applications
3m Strips.



CAJ-RAS

CAJ-PPX-B

PRODUCT CODE	DIMENSIONS	PRICE EXCL. GST		
		1-9	10-49	50+
CRACK-A-JOINTS				
CAJ-P	25mm x 3m Plain	\$14.20	\$10.80	\$9.00
CAJ-RAS	25mm x 3m With Rip-A-Strip (With rubber tear-off strip)	\$22.20	\$18.40	\$16.45
CAJ-PPX-B	25mm x 3m Plastic With Rip-A-Strip (With rubber tear-off strip)	\$22.20	\$18.40	\$16.45

KEY JOINT CAPPING

Permanent Caps are flexible, UV Stabilised, PVC caps that are installed on the top of the joint profile. They are available in black or grey as permanent caps and in black with tear-off strips. The tear-off strips allow for a clean, architectural finish to the joint, without the need for cleaning after the concrete has been finished. These caps are supplied in 24m rolls.



PRODUCT CODE		LENGTH	PRICE EXCL. GST	
			1-9	10+
KEY JOINT CAPPING				
KJ-CAPPG	Permanent Grey	24m	\$99.05	\$89.75
KJ-CAPPB	Permanent Black	24m	\$99.05	\$89.75
KJ-CAPT-B	Tear Off Black	24m	\$103.80	\$93.90

EXPANSION JOINT CAPPING

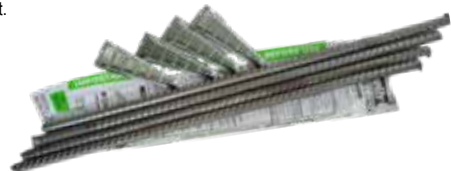
Permanent Capping for Connolly Expansion Joints consists of a white rigid plastic cap that clips on top of the profile and permanently protects the joint from material ingress. Above the rigid plastic is a soft PVC capping that maintains its flexibility and moves with the slab. The PVC capping is available in black and grey. All permanent caps are supplied in 3m lengths.



PRODUCT CODE	LENGTH	PRICE EXCL. GST	
		1-9	10+
Expansion Joint Capping			
EXJ-CAPP	3m	\$29.90	\$25.40

PEGS & WEDGES

Pack of 4 pegs and wedges to suit the 100,150 & 200mm Connolly expansion joint and keyjoint systems. The pegs are placed through the locating holes in the joint and driven into the substrate below the finished height of the concrete. The joint is then raised to height and the wedge is tapped between the peg and the joint holding it at the correct height.



PRODUCT CODE	DIMENSIONS	PRICE EXCL. GST	
		1-49	50+
PEGS AND WEDGES			
KJ-PW100	For 100mm & 125mm Keyjoint	\$9.20	\$8.35
KJ-PW150	For 150mm Keyjoint	\$9.80	\$8.75
KJ-PW200	For 200mm Keyjoint	\$11.95	\$10.80

PLEASE NOTE: ALL PRICING EXCLUDES GST.

WWW.ALLCRAFT.NET.AU || CALL 1300 799 566

DOWELS & SLEEVES

DOWELS - GALVANISED

HOT DIP GALVANISED.



OUR DOWELS ARE FRICTION-CUT NOT CROPPED
MANUFACTURED FROM GRADE 400 STEEL!

DOWELS - BLACK



PRODUCT CODE	DIMENSIONS	PRICE EXCL. GST		
DOWELS - GALVANISED - ROUND		10-99	100-499	500+
R12G-300	12 x 300mm Round Bar	\$1.95	\$1.75	\$1.50
R12G-400	12 x 400mm Round Bar	\$3.20	\$2.50	\$2.00
R12G-460	12 x 460mm Round Bar	\$4.40	\$3.35	\$2.65
R12G-600	12 x 600mm Round Bar	\$4.40	\$3.35	\$2.65
R16G-400	16 x 400mm Round Bar	\$5.60	\$4.95	\$4.05
R16G-450	16 x 450mm Round Bar	\$5.80	\$5.20	\$4.50
R16G-600	16 x 600mm Round Bar	\$5.95	\$4.50	\$3.80
R20G-400	20 x 400mm Round Bar	\$7.00	\$6.00	\$4.60
R20G-600	20 x 600mm Round Bar	\$9.75	\$8.35	\$7.45
R24G-450	24 x 450mm Round Bar	\$10.45	\$9.20	\$7.90
R28G-400	28 x 400mm Round Bar	\$11.95	\$10.90	\$9.45
R28G-450	28 x 450mm Round Bar	\$13.45	\$12.30	\$10.65
R28G-600	28 x 600mm Round Bar	\$17.90	\$16.40	\$14.95
R32G-450	32 x 450mm Round Bar	\$18.15	\$16.10	\$14.05
R36G-500	36 x 500mm Round Bar	\$25.40	\$22.55	\$19.30
DOWELS - GALVANISED - SQUARE		10-99	100-499	500+
S16G-400	16 x 400mm Square Bar	\$8.80	\$7.50	\$6.35
S16G-600	16 x 600mm Square Bar	\$9.90	\$8.95	\$7.90
S20G-400	20 x 400mm Square Bar	\$10.80	\$9.30	\$8.15
S20G-600	20 x 600mm Square Bar	\$14.60	\$13.30	\$12.65

PRODUCT CODE	DIMENSIONS	PRICE EXCL. GST		
DOWELS - BLACK - ROUND		10-99	100-499	500+
R12B-300	12 x 300mm Round Bar	\$1.60	\$1.40	\$1.10
R12B-400	12 x 400mm Round Bar	\$1.95	\$1.75	\$1.45
R12B-460	12 x 460mm Round Bar	\$2.62	\$1.97	\$1.64
R12B-600	12 x 600mm Round Bar	\$3.42	\$2.57	\$2.14
R16B-400	16 x 400mm Round Bar	\$2.95	\$2.75	\$2.50
R16B-450	16 x 450mm Round Bar	\$3.20	\$3.05	\$2.80
R16B-600	16 x 600mm Round Bar	\$4.25	\$3.95	\$3.71
R20B-400	20 x 400mm Round Bar	\$7.00	\$6.00	\$4.60
R20B-600	20 x 600mm Round Bar	\$7.00	\$6.00	\$4.60
R24B-450	24 x 450mm Round Bar	\$9.10	\$7.45	\$6.24

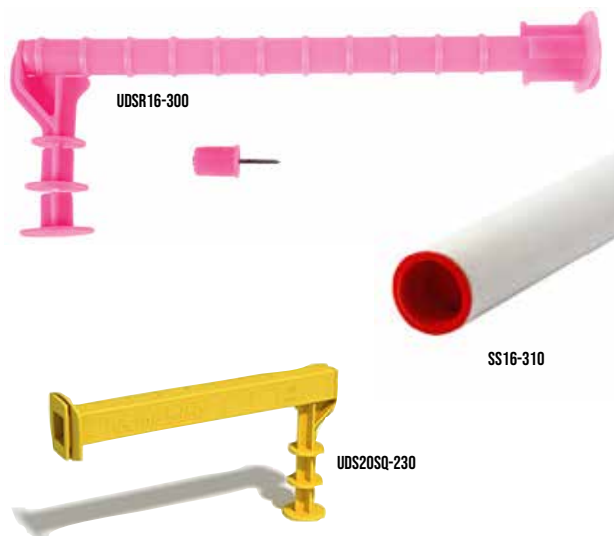
DOWELS - STAINLESS STEEL

316 STAINLESS STEEL

PRODUCT CODE	DIMENSIONS	PRICE EXCL. GST		
DOWELS - STAINLESS STEEL - ROUND		10-99	100-499	500+
R16SS-600	16 x 600mm Round Bar	\$15.90	\$14.40	\$12.85
R20SS-600	20 x 600mm Round Bar	\$24.95	\$22.65	\$19.95

If you require other sizes other than what is listed please contact the office for quotation and lead times. (Lead times usually only 1-2 days)

DOWEL SLEEVES

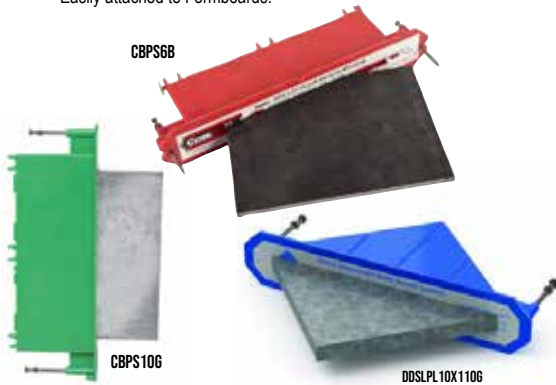


PRODUCT CODE	DIMENSIONS	PRICE EXCL. GST		
DOWEL SLEEVES		9-99	90 - 899	900+
UDS12R-150	ø12 x 150mm - Round (Green)	\$2.25	\$1.90	\$1.55
ROUND DOWEL SLEEVES		25-99	100-999	1000+
UDS16R-230	ø16 x 230mm - Pink	\$2.75	\$2.40	\$1.95
UDS16R-300	ø16 x 300mm - Pink	\$2.95	\$2.60	\$2.10
UDS20R-230	ø20 x 230mm - Blue	\$3.30	\$2.95	\$2.45
UDS20R-300	ø20 x 300mm - Blue	\$3.30	\$2.95	\$2.45
UDS24R-225	ø24 x 225mm - Orange	\$3.95	\$3.55	\$3.20
ROUND DOWEL SPEED SLEEVES		1-99	100-999	1000+
SS16-310	ø16 x 310mm	\$2.60	\$2.20	\$1.80
SS20-310	ø20 x 310mm	\$2.80	\$2.35	\$1.95
SQUARE DOWEL SLEEVES		25-99	100-999	1000+
UDS16SQ-230	ø16 x 230mm - Green	\$3.50	\$3.15	\$2.75
UDS16SQ-300	ø16 x 300mm - Green	\$3.85	\$3.50	\$3.20
UDS20SQ-230	ø20 x 230mm - Yellow	\$3.75	\$3.25	\$2.90
UDS20SQ-300	ø20 x 300mm - Yellow	\$4.20	\$3.80	\$3.25

PLATES, DOWELS & CRADLES

PLATE DOWELS

- Allows for both lateral and end expansion requirements.
- Excellent load capabilities with extremely low deflection results.
- Easily attached to Formboards.



PRODUCT CODE	DESCRIPTION	SIZE	PRICE EXCL. GST		
PLATE DOWELS - BISCUIT		MM	10-29	30-149	150+
CBPS6B	Connolly Biscuit Dowel (Black) - Includes Sleeve	6	\$11.20	\$9.80	\$8.65
CBPS6G	Connolly Biscuit Dowel (Galvanised) - Includes Sleeve	6	\$14.60	\$13.05	\$11.70
CBPS10B	Connolly Biscuit Dowel (Black) - Includes Sleeve	10	\$14.20	\$12.85	\$11.20
CBPS10G	Connolly Biscuit Dowel (Galvanised) - Includes Sleeve	10	\$18.40	\$17.10	\$15.70
PLATE DOWELS - DIAMOND		MM	1-3	4+	-
DDSLPL06X110G	Danely Diamond Dowel (Galvanised) - Includes Sleeve (25 Pack)	6	\$392.75	\$358.05	-
DDSLPL10X110G	Danely Diamond Dowel (Galvanised) - Includes Sleeve (15 Pack)	10	\$412.50	\$423.06	-

DOWEL CRADLES



PRODUCT CODE	DIMENSIONS	PRICE EXCL. GST	
DOWEL CRADLES		1-49	50+
DC6P300B125	50mm x 6mm x 300mm to suit 125mm slab - Black Dowels	\$89.80	\$84.00
DC6P300G125	50mm x 6mm x 300mm to suit 125mm slab - Galvanised Dowels	\$108.65	\$101.65
DC6P300B150	50mm x 6mm x 300mm to suit 150mm slab - Black Dowels	\$89.80	\$84.00
DC6P300G150	50mm x 6mm x 300mm to suit 150mm slab - Galvanised Dowels	\$108.65	\$101.65
DC6P300B180	50mm x 6mm x 300mm to suit 180mm slab - Black Dowels	\$89.80	\$84.00
DC6P300G180	50mm x 6mm x 300mm to suit 180mm slab - Galvanised Dowels	\$108.65	\$101.65
DC6P300B200	50mm x 6mm x 300mm to suit 200mm slab - Black Dowels	\$89.80	\$84.00
DC6P300G200	50mm x 6mm x 300mm to suit 200mm slab - Galvanised Dowels	\$108.65	\$101.65
DC10P300B125	50mm x 10mm x 300mm to suit 125mm slab - Black Dowels	\$110.40	\$103.25
DC10P300G125	50mm x 10mm x 300mm to suit 125mm slab - Galvanised Dowels	\$132.00	\$123.50
CRACK INDUCER		1-49	50+
CI-25	25mm x 3m - for slabs up to 150mm thick	\$10.80	\$8.95
CI-50	50mm x 3m - for slabs over 150mm thick	\$15.90	\$13.50

**DO YOU REQUIRE EPOXY ADHESIVES TO ANCHOR THE DOWELS ON-SITE?
....GO TO PAGE 45**



BARCHAIRS & BASE

WIRE BARCHAIRS - PLASTIC TIP

Manufactured from hand drawn wire.
Plastic tip legs for rust prevention that can cause 'concrete cancer'



WBC40

PRODUCT CODE	SIZE	QTY	PRICE EXCL. GST		
			PER BAG	1-9	10-49
WIRE BARCHAIRS - PLASTIC TIP					
WBC020	20mm	100	\$19.80	\$18.05	\$15.40
WBC025	25mm	100	\$21.05	\$19.20	\$16.40
WBC030	30mm	100	\$24.75	\$22.55	\$19.25
WBC040	40mm	100	\$28.50	\$25.95	\$22.15
WBC050	50mm	100	\$39.60	\$36.10	\$30.80
WBC065	65mm	100	\$44.55	\$40.60	\$34.65
WBC070	70mm	100	\$47.05	\$42.85	\$36.60
WBC075	75mm	100	\$49.50	\$45.10	\$38.50
WBC080	80mm	100	\$52.00	\$47.35	\$40.45
WBC085	85mm	100	\$54.45	\$49.60	\$42.35
WBC090	90mm	100	\$58.20	\$53.00	\$45.25
WBC100	100mm	100	\$61.90	\$56.40	\$48.15
WBC110	110mm	50	\$34.65	\$31.55	\$26.95
WBC120	120mm	50	\$38.40	\$35.00	\$29.85
WBC130	130mm	50	\$42.10	\$38.35	\$32.75
WBC140	140mm	50	\$44.55	\$40.60	\$34.65
WBC150	150mm	50	\$47.05	\$42.85	\$36.60
WBC160	160mm	50	\$54.45	\$49.60	\$42.35
WBC170	170mm	50	\$59.40	\$54.10	\$46.20
WBC180	180mm	50	\$74.25	\$67.65	\$57.75
WBC190	190mm	50	\$78.00	\$71.05	\$60.65
WBC200	200mm	25	\$42.10	\$38.35	\$32.75
WBC210	210mm	25	\$45.80	\$41.75	\$35.65
WBC220	220mm	25	\$48.30	\$44.00	\$37.55
WBC230	230mm	25	\$49.50	\$45.10	\$38.50
WBC240	240mm	25	\$50.75	\$46.20	\$39.50
WBC250	250mm	25	\$52.00	\$47.35	\$40.45
WBC260	260mm	25	\$52.60	\$47.90	\$40.90
WBC270	270mm	25	\$55.70	\$50.75	\$43.35
WBC280	280mm </td <td>25</td> <td>\$56.30</td> <td>\$51.30</td> <td>\$43.80</td>	25	\$56.30	\$51.30	\$43.80
WBC290	290mm	25	\$56.95	\$51.85	\$44.30
WBC300	300mm	25	\$58.20	\$53.00	\$45.25
WBC320	320mm	25	\$59.40	\$54.10	\$46.20
WBC340	340mm	25	\$61.90	\$56.40	\$48.15
WBC360	360mm	25	\$66.85	\$60.90	\$52.00
WBC380	380mm	25	\$71.15	\$64.85	\$55.35

BASE PLATES - STEEL

Mainly used to support Wire Barchairs on soft surfaces.



PRODUCT CODE	SIZE	QTY	PRICE EXCL. GST		
			PER BAG	1-17	18-71
BP-154	154mm	100	\$44.75	\$39.80	\$35.70
BP-224	224mm	50	\$54.50	\$46.75	\$42.80

PLASTIC BARCHAIRS



SLAB ON GROUND

VERY STURDY AND DURABLE.



PRODUCT CODE	SIZE	QTY		PRICE EXCL. GST		
		PCS/BAG	BAG/PALLET	1-9/BAGS	10 BAGS - 1 PALLET	1 PALLET +
BSG25C	25/40mm Clip-on	100	50	\$18.80	\$17.25	\$14.40
BSG50C	50/65mm Clip-on	100	72	\$19.80	18.30	14.85
BSG75C	75/90mm Clip-on	100	60	\$24.50	\$22.00	\$19.20
BSG85	85/100mm	100	50	\$27.80	\$25.90	\$19.95
BSG105	105/110mm	100	25	\$43.80	\$41.50	\$37.50
BSG115	115/120mm	100	25	\$49.60	\$46.90	\$41.80
BSG125	125/130mm	100	25	\$52.00	\$49.90	\$44.75
BSG135	135/140mm	100	25	\$54.80	\$51.20	\$47.15
BSG145	145/150mm	100	25	\$58.90	\$55.00	\$49.30
BSG165	165/170mm	100	25	\$75.00	\$66.80	\$56.70

BARCHAIRS & SPACERS

CIRCULAR CLIP-ON SPACERS



- Often used for pier cages as their unique design offers 360 degrees of cover
- Constant cover even with rotation.
- AS/NZS 2425:2015 Compliant



CCS50-4

PRODUCT CODE	SIZE	QTY		PRICE EXCL. GST		
		PER BAG		1-19	20-49	50+
CIRCULAR CLIP-ON SPACERS						
CCS30	30mm	100		\$20.90	\$18.45	\$14.90
CCS40	40mm	100		\$23.10	\$19.95	\$16.30
CCS50	50mm	100		\$28.15	\$24.30	\$19.85
CCS60-12	60mm	100		\$35.20	\$30.70	\$24.80
CCS75-12	75mm	100		\$45.10	\$38.95	\$31.80
HEAVY DUTY CIRCULAR CLIP-ON SPACERS						
		PER BAG	BAGS PER PALLET	1-19 BAGS	20 BAGS - 1 PALLET	1 PALLET +
CCS-HD50	50mm	28	104	\$55.85	\$51.45	\$44.70
CCS-HD65	65mm	30	56	\$67.85	\$62.50	\$54.15
CCS-HD75	75mm	30	48	\$69.00	\$63.55	\$55.30
CCS-HD80	80mm	24	54	\$62.95	\$58.00	\$50.15
CCS-HD85	85mm	24	54	\$68.85	\$63.45	\$55.20
CCS-HD90	90mm	24	54	\$72.50	\$66.80	\$57.90
CCS-HD100	100mm	24	36	\$95.30	\$87.80	\$76.15
CCS-HD110	110mm	30	27	\$204.10	\$187.95	\$163.05

CLIP-FAST PLASTIC BAR SPACERS



- Designed to make steel-fixing and traceability easier.
- Minimal exposure at the concrete surface



BCFB65

PRODUCT CODE	SIZE		QTY	PRICE EXCL. GST		
	CLIP FAST PLASTIC BAR SPACERS	BAR SIZE		PER BAG	1-9	10-49
BCFB20	20mm	4 to 16	100	\$23.40	\$18.75	\$14.05
BCFB25	25mm	4 to 16	100	\$24.30	\$19.45	\$14.20
BCFB32	32mm	4 to 16	100	\$25.20	\$20.15	\$14.70
BCFB40	40mm	4 to 16	100	\$27.90	\$22.30	\$16.30
BCFB50	50mm	4 to 16	100	\$30.90	\$24.70	\$18.05
BCFB65	65mm	4 to 16	100	\$33.60	\$26.90	\$19.60
BCFB75	75mm	4 to 16	100	\$35.70	\$28.55	\$20.85
BCFB40L	40mm Large	18 to 20	100	\$33.30	\$26.65	\$19.45
BCFB50L	50mm Large	18 to 20	100	\$36.30	\$29.05	\$21.20
BCFB65L	65mm Large	18 to 20	100	\$43.50	\$34.80	\$25.40
BCFB75L	75mm Large	18 to 20	100	\$45.60	\$36.50	\$26.60

PILE CAGE FEET



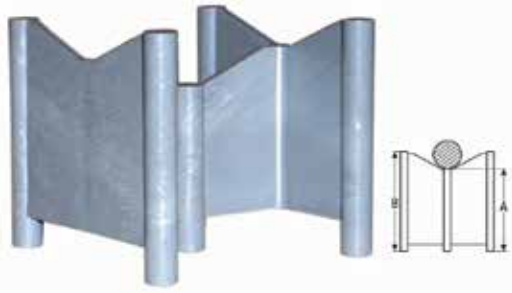
Designed to exceed the requirements of AS/NZS 2425:2015 for Bar Chairs, the Pile Cage Foot is designed to ensure correct concrete cover at the bottom of the fabricated Pile Cage.

PRODUCT CODE	SIZE	QTY		PRICE EXCL. GST	
		PER BAG	BAGS PER PALLET	1-35	36+
PILE CAGE FEET					
CF-85	85mm	60	36	\$113.40	\$92.50
CF-100	100mm	60	36	\$122.85	\$99.75
CF-150	150mm	60	36	\$136.50	\$118.60



SPACERS

BOTTOM DECK COMBINATION SPACERS



Designed to support both mesh and large bars in suspended decks, precast beams, panels and tilt-up applications.

PRODUCT CODE	SIZE		QTY	PRICE EXCL. GST		
BOTTOM DECK COMBINATION SPACERS						
	A (MM)	B (MM)	PER BAG	1-9	10-49	50+
BDCS20	20	25	100	\$17.80	\$15.40	\$13.40
BDCS25	25	30	100	\$18.30	\$15.90	\$13.70
BDCS35	35	45	100	\$19.40	\$16.95	\$14.60
BDCS40	40	50	100	\$20.40	\$17.20	\$14.95

TOP DECK COMBINATION SPACERS



Alternative to wire barchairs.

PRODUCT CODE	SIZE		QTY	PRICE EXCL. GST		
TOP DECK COMBINATION SPACERS						
	A (MM)	B (MM)	PER BAG	1-9	10-39	40+
TDCS65	65	75	100	\$48.40	\$41.80	\$36.30
TDCS90	90	100	100	\$59.40	\$51.30	\$44.55
TDCS110	110	120	100	\$68.20	\$58.90	\$51.15
TDCS130	130	140	100	\$77.00	\$66.50	\$57.75
TDCS150	150	160	100	\$85.80	\$74.10	\$64.35
TDCS170	170	180	100	\$96.80	\$83.60	\$72.60
TDCS190	190	200	100	\$103.40	\$89.30	\$77.35

CONCRETE WIRE BLOCK SPACERS

Highly engineered marine grade spacer with very high load capacities and corrosion resistant.

CB40



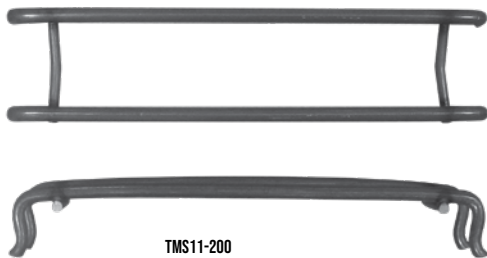
PRODUCT CODE	SIZE	QTY	PRICE EXCL. GST				
CONCRETE WIRE BLOCK SPACERS			(MM)	PER BOX	1-19	20+	50+
CBS20	20	200			\$160.00	\$132.40	\$112.50
CBS30	30	100			\$95.00	\$82.00	\$69.50
CBS40	40	50			\$65.50	\$56.00	\$49.80
CBS50	50	50			\$72.50	\$65.00	\$57.50
CBS65	65	25			\$45.00	\$38.75	\$35.40
CBS75	75	25			\$55.00	\$47.50	\$41.25
CBS85	85	15			\$37.50	\$30.30	\$27.75
CBS90	90	15			\$41.25	\$37.50	\$34.80
CBS100-S	100	12			\$38.40	\$34.80	\$31.80

SPACERS

TRENCH MESH SPACERS (BOGARS)



Very fast and efficient way to achieve a rigid foundation cage.



TMS11-200

PRODUCT CODE	SIZE	QTY	PRICE EXCL. GST		
			PER BAG	1-4	5-19
TRENCH MESH SPACERS					
TMS11-200	11TM - 200mm	50	\$135.75	\$117.70	\$104.35
TMS12-200	12TM - 200mm	50	\$133.75	\$117.70	\$104.35
TMS11-300	11TM - 300mm	50	\$147.50	\$129.80	\$115.05
TMS12-300	12TM - 300mm	50	\$147.50	\$129.80	\$115.05
TMS11-350	11TM - 350mm	50	\$153.75	\$135.30	\$119.95
TMS12-350	12TM - 350mm	50	\$153.75	\$135.30	\$119.95
TMS11-400	11TM - 400mm	50	\$161.25	\$144.90	\$125.80
TMS12-400	12TM - 400mm	50	\$161.25	\$141.90	\$125.80
TMS11-450	11TM - 450mm	50	\$163.75	\$144.10	\$127.75
TMS12-450	12TM - 450mm	50	\$163.75	\$144.10	\$127.75
TMS11-500	11TM - 500mm	50	\$171.25	\$150.70	\$133.60
TMS12-500	12TM - 500mm	50	\$171.25	\$150.70	\$133.60

Spacers for 8mm and 16mm Trench Mesh also available....

FOUNDATION FRAMES



- Take the place of ligatures / stirrups and barchairs in one go.
- Mesh is supported 50mm off the ground.
- Easy to assemble.

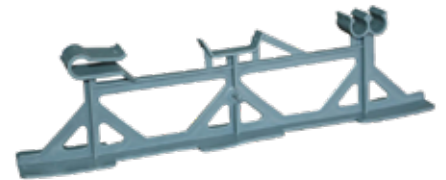


PRODUCT CODE	SIZE	QTY	PRICE EXCL. GST	
			PER BAG	1-39
FOUNDATION FRAMES				
FF-300	250 - 300mm	25	\$45.50	\$39.60
FF-400	350 - 400mm	25	\$91.60	\$83.95

TRENCH MESH SUPPORTS



- Reduces the chance of rupturing the polythene membrane whilst working
- Offers more stability than normal SOG Barchairs
- Suitable for 8mm to 16mm reinforcing bar and trench mesh



PRODUCT CODE	SIZE	QTY	PRICE EXCL. GST			
			WIRE SIZE	BAG	1-9	10-99
TRENCH MESH SUPPORTS						
BTMS20	60mm	8 to 16	20	\$14.80	\$12.50	\$9.90

NEED ESTIMATING SERVICES?

LOOK NO FURTHER, ALLCRAFT HAS YOU COVERED!



Here at Allcraft we can undertake all of the time-consuming estimating and scheduling of your construction projects.

Save time and hard-earned money and have all of your construction material requirements scheduled, organised and delivered to you on site ON TIME, EVERY TIME!



CALL TODAY: 1300 799 566

OR

EMAIL: ESTIMATING@ALLCRAFT.NET.AU

PREFAB & LIGATURES

PREFABRICATION SERVICE

Here at Allcraft we manufacture and supply prefabrication as a service to our valued clients. All prefabrication is made to comply with strict Australian Standards

Our services include:

PILE CAGES

Pile cages are typically used with medium to large slabs, piers and bridge construction. The main configurations for pile cages are round-shaped with the core reinforcing bars contained with a spiral/hoop ligature.

They are usually supplied in 12 metre lengths but smaller and larger lengths are available.



PREFABRICATED CAGES

Made to order pre fabricated steel cages can be provided for all pier, pile and footing steel reinforcement.

Our pre fabricated steel cages are made on site right here in our Sydney factory. Machine made with controlled welding by our trained specialised Reo Cage Sydney workers.

CUSTOM PREFABRICATED CAGES

Custom prefabrication is typically used in pre-casting and unique structures like tunnel segments, barriers etc.

The main configurations for custom prefab is 12mm bar to 40mm bar 2.4metre*12metre to ensure standard road transport width requirements are met. Configurations of the cages and components can be bar, mesh, structural sections, bolts and so on, incorporated into the finished cage. These configurations are determined early in the design stage then confirmed during the scheduling phase of the project.



ENQUIRE TODAY
1300 799 566

CIRCULAR TIE / LIGATURE

Complies with AS/NZS 4671 Steel Reinforcing materials. Certification from ACRS and ISO 9001.

N10 Deformed Bar



PRODUCT CODE	SIZE DIA	PRICE EXCL. GST		
		1-49	50-499	500+
CT-200	200	\$3.50	\$3.05	\$2.60
CT-250	250	\$4.30	\$3.75	\$3.20
CT-300	300	\$4.95	\$4.15	\$3.40
CT-350	350	\$5.10	\$4.35	\$3.65
CT-400	400	\$5.40	\$4.60	\$3.95
CT-450	450	\$6.20	\$5.10	\$4.55

TRENCH MESH LIGATURE / STIRRUP

Complies with AS/NZS 4671 Steel Reinforcing materials. Certification from ACRS and ISO 9001.

N10 Deformed Bar



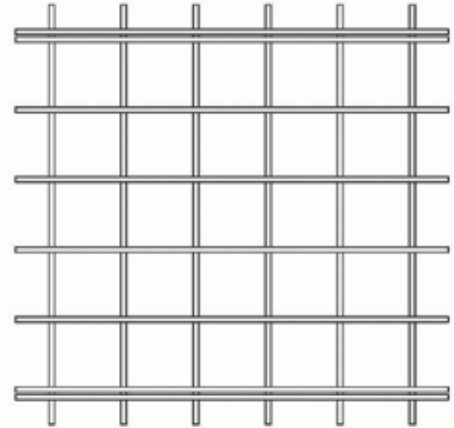
PRODUCT CODE	SIZE	PRICE EXCL. GST		
		1-49	50-499	500+
TML-200200	200 x 200	\$3.20	\$2.70	\$2.05
TML-200250	200 x 250	\$3.60	\$3.05	\$2.30
TML-200300	200 x 300	\$3.95	\$3.35	\$2.60
TML-200350	200 x 350	\$4.40	\$3.70	\$2.85
TML-200400	200 x 400	\$4.80	\$4.05	\$3.10
TML-200500	200 x 500	\$5.60	\$4.70	\$3.60
TML-300300	300 x 300	\$4.80	\$4.05	\$3.10
TML-300350	300 x 350	\$5.20	\$4.40	\$3.35
TML-300400	300 x 400	\$5.60	\$4.70	\$3.60
TML-350350	350 x 350	\$5.60	\$4.70	\$3.60
TML-350400	350 x 400	\$6.00	\$5.05	\$3.85
TML-400400	400 x 400	\$6.40	\$5.60	\$4.10

REINFORCING MESH

REINFORCING - SQUARE RIB MESH

Complies with AS/NZS 4671 Steel Reinforcing materials.
Certification from ACRS and ISO 9001.

PRODUCT CODE	REINFORCING - SQUARE RIB MESH					PRICE EXCL. GST
	SHEET SIZE	MAIN WIRE	EDGE WIRE	CROSS WIRE	WEIGHT	
	METRES	(MM)	(MM)	(MM)	KG	
SL52	6 x 2.4	4.75@200	4.00@200	4.75@200	21	POA
SL62	6 x 2.4	6.00@200	4.75@200	6.00@200	33	POA
SL62UTE	4 x 2	6.00@200	N/A	6.00@200	18	POA
SL72	6 x 2.4	6.75@200	4.75@200	6.75@200	41	POA
SL72UTE	4 x 2	6.75@200	N/A	6.75@200	23	POA
SL82	6 x 2.4	7.60@200	6.00@200	7.60@200	52	POA
SL82UTE	4 x 2	7.60@200	N/A	7.60@200	30	POA
SL92	6 x 2.4	8.55@200	6.00@200	8.55@200	66	POA
SL102	6 x 2.4	9.50@200	6.75@200	9.50@200	80	POA
SL81	6 x 2.4	7.60@100	7.60@100	7.60@100	105	POA

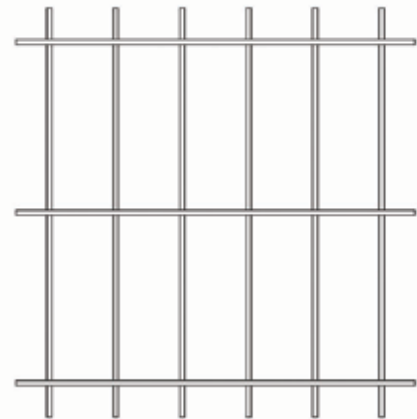


SL62

REINFORCING - RECTANGULAR RIB MESH

Complies with AS/NZS 4671 Steel Reinforcing materials.
Certification from ACRS and ISO 9001

PRODUCT CODE	REINFORCING - RECTANGULAR RIB MESH				PRICE EXCL. GST
	SHEET SIZE	MAIN WIRE	CROSS WIRE	WEIGHT	
RL718	6 x 2.4m	6.75@100mm	7.60@200mm	68kg	POA
RL818	6 x 2.4m	7.60@100mm	7.60@200mm	79kg	POA
RL918	6 x 2.4m	8.55@100mm	7.60@200mm	93kg	POA
RL1018	6 x 2.4m	9.50@100mm	7.60@200mm	109kg	POA
RL1118	6 x 2.4m	10.65@100mm	7.60@200mm	131kg	POA
RL1218	6 x 2.4m	11.90@100mm	7.60@200mm	157kg	POA



RL918

REINFORCING - TRENCH RIB MESH

Complies with AS/NZS 4671 Steel Reinforcing materials.
Certification from ACRS and ISO 9001

PRODUCT CODE	REINFORCING - TRENCH RIB MESH				PRICE EXCL. GST
	SHEET SIZE	MAIN WIRE	CROSS WIRE	WEIGHT	
L8TM3W	6 x 0.2m	7.60@100mm	4.00@300mm	7 Kg	POA
L8TM4W	6 x 0.3m	7.60@100mm	4.00@300mm	9 Kg	POA
L8TM5W	6 x 0.4m	7.60@100mm	4.00@300mm	12 Kg	POA
L11TM3W	6 x 0.2m	10.65@100mm	4.75@300mm	13 Kg	POA
L11TM4W	6 x 0.3m	10.65@100mm	4.75@300mm	18Kg	POA
L11TM5W	6 x 0.4m	10.65@100mm	4.75@300mm	22 Kg	POA
L12TM3W	6 x 0.2m	11.90@100mm	4.75@300mm	16 Kg	POA
L12TM4W	6 x 0.3m	11.90@100mm	4.75@300mm	23Kg	POA
L12TM5W	6 x 0.4m	11.90@100mm	4.75@300mm	27 Kg	POA



L11TM3W

REINFORCING BAR & WAFFLE POD

REINFORCING BAR

- All processed steel available
- Available in 6000mm & 9000mm



PRODUCT CODE	REINFORCING BAR	PRICE EXCL. GST
	GRADE DESCRIPTION	
N10S	500 N or E Deformed Bar	POA
N12S	500 N or E Deformed Bar	POA
N16S	500 N or E Deformed Bar	POA
N20S	500 N or E Deformed Bar	POA
N24S	500 N or E Deformed Bar	POA
N28S	500 N or E Deformed Bar	POA
N32S	500 N or E Deformed Bar	POA
N36S	500 N or E Deformed Bar	POA
S12S	300 S Deformed Pool Bar	POA

REINFORCING BAR - GALVANISED



PRODUCT CODE	REINFORCING BAR	PRICE EXCL. GST
	GRADE DESCRIPTION	
N12S-G	500 N or E Deformed Bar	POA
N16S-G	500 N or E Deformed Bar	POA
N20S-G	500 N or E Deformed Bar	POA

REINFORCING BAR - STAINLESS

Grade 316 Stainless

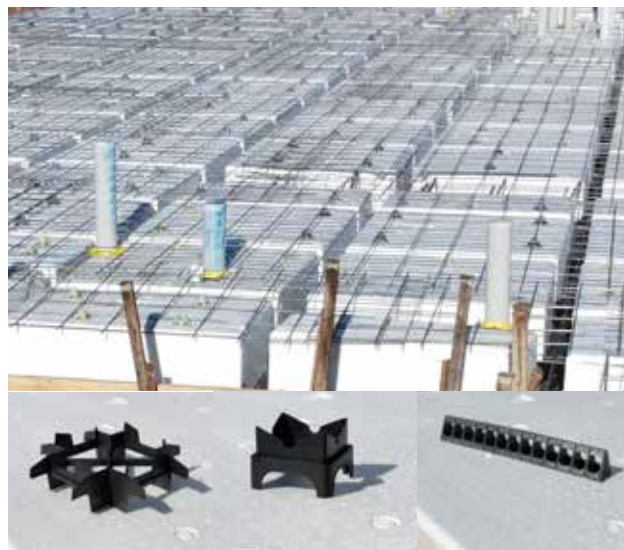


PRODUCT CODE	REINFORCING BAR	PRICE EXCL. GST
	GRADE DESCRIPTION	
N12S-SS	500 N or E Deformed Bar	POA
N16S-SS	500 N or E Deformed Bar	POA
N20S-SS	500 N or E Deformed Bar	POA

WAFFLE POD PACKAGES

At Allcraft we offer Waffle Pod Packages. From Mesh & Bar to the Waffle Pods, Plastic Underlay, Barchairs, Tape, Tie Wire & even the Concrete!!!

- Items also sold separately



PRODUCT CODE	DESCRIPTION	DIMENSIONS	PRICE EXCL. GST
WAFFLE PODS		(MM)	
POD150	Waffle Pod	1090 x 1090 x 150	POA
POD225	Waffle Pod	1090 x 1090 x 225	POA
POD300	Waffle Pod	1090 x 1090 x 300	POA
POD375	Waffle Pod	1090 x 1090 x 375	POA
FSPA1	Two Way Spacer	100mm/110mm	POA
FSPAX100	Four Way Spacer	100mm (270/300)	POA
FSPAX110	Four Way Spacer	110mm (270/300)	POA
FSPAX200	Four Way Spacer	200mm (275/305)	POA
WPC45	Tripod Waffle Pod Chairs (Bag of 20)	45mm	POA
NPSCOST	Plastic Scrap Bags		POA



ALL YOUR REINFORCING & WAFFLE POD SOLUTIONS... DELIVERED TO SITE!

BIAX FOUNDATION SYSTEM

BIAX SYSTEM

The Biax Foundations™ System is sustainable, smarter and simpler. Made up of engineered components, our biaxial slab system is customisable to any slab shape and reduces onsite waste and environmental contaminants without compromising building code compliance.



BIAX-145

(for a 230mm slab)
This pod is used for the simple formation of step-downs, such as patios, alfrescos, garages and wet areas. It saves the builder from having to 'profile' the site when excavating by allowing them to work with a flat base

BIAX-215

(for a 300mm slab)
This is considered the "primary" pod as it is the most commonly used for the main body of all slabs. This pod is used in all areas for soils up to H2 soil classification and is supplied in the highest ratio per m2 of slab area.

BIAX-500

(for a 585mm slab)
The BIAX-500™ creates a significantly stiffer and stronger slab to cater for multi-story buildings with high loads and lighter residential slabs on expansive E-Class soils.

BIAX-ADJ1 & BIAX-ADJ2

Available in 2 sizes ADJ1 & ADJ2 adjustable extenders remove the need to cut the pods. Simply by attaching ADJ1, an adjustment of 150-400mm can be made, which can be further extended to 450mm - 700mm by the addition of the ADJ2 extender.

BIAX-KEY

Clicks and locks each of the different pods variations together. This patented system also clicks and secures reinforcing steel. Keystones measure 170 x 170 x 100mm. 100% recyclable.

- **EASILY TRANSPORTED** - pods for an 180sqm home can be delivered on a single axle trailer
- **LIGHT WEIGHT** - & easy to handle each pod weighs less than 3 KG
- **FULLY ADJUSTABLE SYSTEM** - fits any size foundation
- **ECO FRIENDLY** - Made from up to 100% recycled plastic



GALVANISED MESH



PRODUCT CODE	SIZE	PRICE EXCL. GST
	(MM)	
	2000 x 1200 x 25 x 25 x 2.5	POA
	2000 x 2300 x 50 x 50 x 3.15	POA
	2000 x 1200 x 75 x 75 x 4	POA

THREADED REINFORCING BAR

• 50mm thread



PRODUCT CODE	LENGTH (MM)	THREAD (MM)	PRICE EXCL. GST		
			1-99	100-999	1000+
N12-TB600	600	50	\$9.50	\$7.95	\$6.90
N16-TB600	600	50	\$12.20	\$10.60	\$8.30
N20-TB600	600	50	\$16.50	\$13.85	\$9.95

FORMWORK & STARPOSTS

HARDWOOD PEGS WITH STEEL CAPS

Steel collar provides increased strength and durability



HS60050C

PRODUCT CODE	DIMENSIONS	PRICE EXCL. GST		
		10-99	100-499	500+
HARDWOOD PEGS WITH STEEL CAPS				
HS45050C	450mm x 50mm x 50mm	\$4.85	\$4.20	\$3.80
HS60050C	600mm x 50mm x 50mm	\$5.45	\$4.75	\$4.25
HS75050C	750mm x 50mm x 50mm	\$5.95	\$5.55	\$4.70
HS90050C	900mm x 50mm x 50mm	\$6.70	\$5.95	\$5.55
HS120050C	1200mm x 50mm x 50mm	\$10.90	\$9.00	\$8.60

STEEL FORMWORK PINS

We stock 18, 22 & 30mm diameter steel pins with holes.



SFP600H

PRODUCT CODE	DIMENSIONS	PRICE EXCL. GST		
		10-99.	100-499	500+
STEEL FORMWORK PINS				
SFP60019H	19mm x 600mm With Holes	\$7.95	\$7.15	\$6.40
SFP75019H	19mm x 750mm With Holes	\$9.90	\$8.85	\$7.70
SFP60022H	22mm x 600mm With Holes	\$10.80	\$9.95	\$8.20
SFP75022H	22mm x 750mm With Holes	\$12.95	\$12.05	\$10.55
SFP90022H	22mm x 900mm With Holes	\$15.50	\$14.20	\$12.95
STEEL FORMWORK PINS				
SFP60030H	30mm x 600mm With Holes	\$15.75	\$14.50	\$13.20

CHECK OUT OUR FULL RANGE OF HIGH QUALITY TOOLS, EQUIPMENT AND MATERIALS...



VISIT WWW.ALLCRAFT.NET.AU

FORMWORK PEGS & PINS



HS60050

PRODUCT CODE	DIMENSIONS	PRICE EXCL. GST		
		10-99	100-499	500+
HARDWOOD PEGS				
HS45050	450mm x 50mm x 50mm	\$3.35	\$3.10	\$2.75
HS60050	600mm x 50mm x 50mm	\$4.35	\$3.95	\$3.60
HS75050	750mm x 50mm x 50mm	\$5.40	\$4.95	\$4.45
HS90050	900mm x 50mm x 50mm	\$6.40	\$5.85	\$5.35

STARPOSTS

SP1650



SP600

Sold in packs of 10

PRODUCT CODE	LENGTH	PRICE EXCL. GST		
		10-99	100-399	400+
STAR POSTS - GENERAL 1.58KG/M				
SP450	450mm	\$2.95	\$2.20	\$1.95
SP600	600mm	\$4.95	3.20	2.75
SP900	900mm	\$5.95	\$4.80	\$3.90
SP1350	1350mm	\$9.50	\$5.95	\$4.80
SP1500	1500mm	\$10.10	\$6.45	\$5.85
SP1650	1650mm	\$10.60	\$8.20	\$6.50
SP1800	1800mm	\$11.50	\$8.80	\$7.20
SP2100	2100mm	\$12.50	\$9.90	\$8.10
SP2400	2400mm	\$13.60	\$10.95	\$9.90

STARPOST / SAFETY CAPS

- 100/Pack
- Use for both Reo bar and star posts
- High visibility

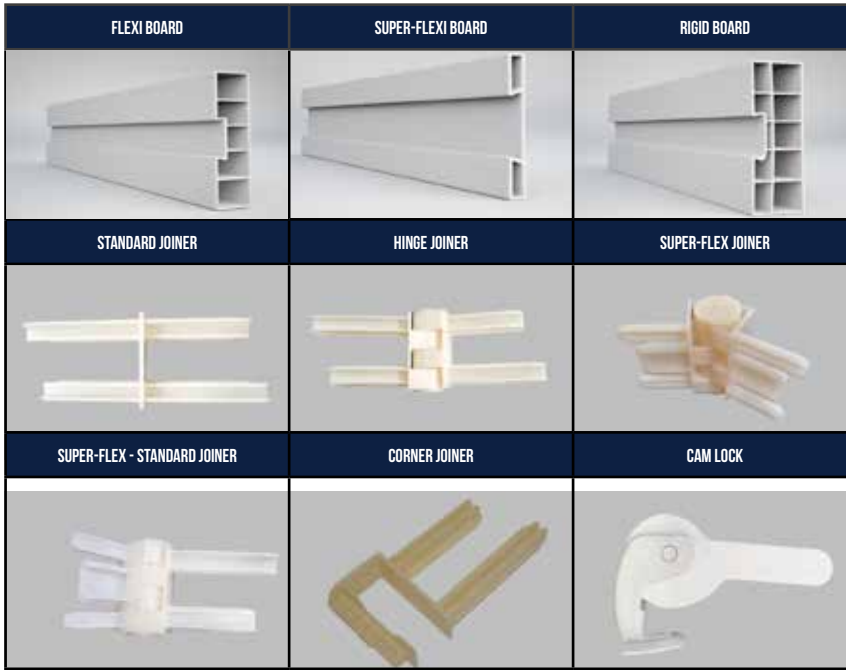


PRODUCT CODE	DESCRIPTION	PACK	PRICE EXCL. GST		
			1-9	10-44	50+
SSPC-100	Starpost Caps	100	\$44.80	\$37.20	\$29.80

PLASTI-FORM PLASTIC FORMWORK

PLASTI-FORM PLASTIC FORMWORK & ACCESSORIES

Plasti-Form is a plastic formwork system designed to ensure accurate & quality concrete pours quickly. It's Lightweight, flexible, durable, & very easy to use.



PRODUCT CODE	DESCRIPTION	SIZE	PRICE EXCL. GST		
			1-4	5-49	50+
PLASTIFORM - PLASTIC FORMWORK					
PF-075	Flexi Board	75mm x 4.8m	\$78.60	\$73.70	\$65.90
PF-100	Flexi Board	100mm x 4.8m	\$82.80	\$78.25	\$71.30
PF-150	Flexi Board	150mm x 4.8m	\$118.80	\$112.90	\$106.20
PF-200	Flexi Board	200mm x 4.8m	\$178.80	\$169.80	\$160.15
PF-90SF	Super-Flexi Board	90mm x 4.8m	\$78.50	\$73.45	\$65.50
PF-100R	Rigid Board	100mm x 4.8m	\$112.40	\$107.80	\$101.75
PF-150R	Rigid Board	150mm x 4.8m	\$156.80	\$149.90	\$142.15
PLASTIFORM - ACCESSORIES			TO SUIT	1-9	10-49
PF-075J	Standard Joiner	75mm	\$3.85	\$3.50	\$3.15
PF-100J	Standard Joiner	100mm	\$4.40	\$3.95	\$3.50
PF-150J	Standard Joiner	150mm	\$5.75	\$5.20	\$4.80
PF-100J-H	Hinge Joiner	100mm	\$12.50	\$11.80	\$9.95
PF-150HJ	Hinge Joiner	150mm	\$14.60	\$13.50	\$11.85
PF-200HJ	Hinge Joiner	200mm	\$16.20	\$15.10	\$13.90
PF-90SFJ	Super Flex Joiner	90mm	\$11.80	\$10.40	\$9.75
PF-90SFJ-NJ	Super Flex Joiner - Standard Joiner	90mm	\$11.85	\$10.50	\$9.95
PF-CNR	Corner Joiner	100mm	\$5.20	\$4.80	\$4.25
PF-CAM	Cam Lock	N/A	\$3.75	\$3.40	\$3.15



FEATURES & BENEFITS

LIGHT WEIGHT AND EASY TO HANDLE — the lighter weight of plastic formwork as compared with timber formwork makes it easy to use not just in terms of laying and adjustments, but also for transportation.

WATER AND RUST RESISTANCE — this makes plastic especially suited for areas like underground constructions and damp areas.

REUSABILITY — plastic formwork can be reused several times until it reaches the end of its lifecycle.

COST-EFFECTIVE — the various benefits mentioned above contribute to this advantage of plastic formworks cost-effectiveness. The reusability and recycling capability of plastic formworks ease the financial burden a lot as compared to other formworks.

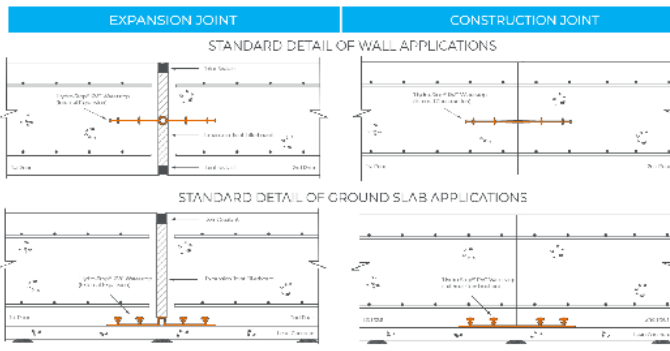
SIZING CAPABILITY — unlike other formworks such as steel and timber, plastic formworks can be molded to fit any size as required. With no restrictions on size and shape, this is a huge advantage of plastic formworks.

WATERSTOPS, PLY, FILLET & FORMBOARDS

PVC WATERSTOPS

PVC Waterstops are available in rolls with separate intersections supplied to simplify and minimise on-site fabrication.

The waterstop is heat weldable and allows for fast and easy on-site welding/joining.



PRODUCT CODE	DIMENSIONS	PRICE EXCL. GST	
		1-9	10+
PVC WATERSTOPS			
WS-150CB	150mmx20m	\$311.10	\$283.75
WS-200CB	200mmx20m	\$370.45	\$341.90
WS-250CB	250mmx15m	\$387.10	\$362.10
WS-150RGX	150mmx20m	\$314.40	\$287.05
WS-200RGX	200mmx20m	\$372.65	\$345.95
WS-250RGX	250mmx15m	\$390.95	\$366.20

PLYWOOD - BENDING

Laminated Bending Ply also available



PRODUCT CODE	DIMENSION	PRICE EXCL. GST
BENDING PLYWOOD		
PWB-6	2.4 x 1.2 x 6mm thick	\$POA
PWB-9	2.4 x 1.2 x 9mm thick	\$POA

PLYWOOD - STRUCTURAL

All Structural Plywood rated at F14 or F17



PRODUCT CODE	SIZE	PRICE EXCL. GST
STRUCTURAL PLYWOOD		
PWS-18	1.8 x 1.2 x 17mm thick	\$POA
PWS-24	2.4 x 1.2 x 17mm thick	\$POA

FORMBOARDS

[LVL]

Come in 6m lengths
95x65mm come in 3.6, 4.8 & 6m



PRODUCT CODE	DIMENSIONS	PRICE EXCL. GST
FORMBOARDS		
LVL10036	100 x 36mm	POA
LVL15036	150 x 36mm	POA
LVL15045	150 x 45mm	POA
LVL17036	170 x 36mm	POA
LVL20036	200 x 36mm	POA
LVL20045	200 x 45mm	POA
LVL24036	240 x 36mm	POA
LVL15077	150 x 77mm	POA
LVL9547	95 x 47mm	POA
LVL9565	95 x 65mm	POA

FORMWORK FILLET



PRODUCT CODE	TYPE	DIMENSIONS	PRICE EXCL. GST	
FORMWORK FILLET - PVC			25-99	100+
FF-PVC	PVC	19 x 19mm x 4m	\$3.75	\$2.90
FORMWORK FILLET - TIMBER			50-199	200+
FF-T	Timber	19 x 19mm x 4m	\$1.85	\$1.50

BRACKETS & SACRIFICIAL FORMWORK

SACRIFICIAL STEEL FORMWORK



PRODUCT CODE	DESCRIPTION	SIZE THICKNESS	PRICE EXCL. GST
SACRIFICIAL STEEL FORMWORK		(MM)	
K-0.75	Sacrificial Steel Formwork	0.75	POA
K-1.00	Sacrificial Steel Formwork	1	POA

FORMWORK REBATE BRACKETS

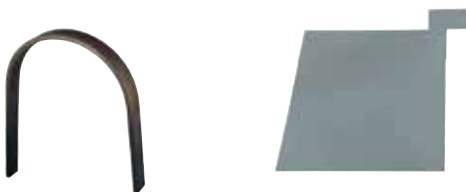
Typically used to create a rebate for standard brick veneers.



PRODUCT CODE	TYPE & SIZE	PRICE (PRICES EXCLUDES GST)		
		1-39	40-119	120+
REBATE BRACKETS				
OX-P101950	Adjustable Rebate Bracket - 150mm	\$16.50	\$14.60	\$11.95
OX-P103405	Z Rebate Bracket - 150mm	\$15.80	\$13.80	\$11.90

KERB BOWS AND PLATES

Shaped to form up 150mm Splated Kerb



PRODUCT CODE	DESCRIPTION	PRICE EXCL. GST		
		1-49	50-199	200+
KERB BOWS AND PLATES				
KGB	Kerb Bow	\$11.50	\$10.60	\$9.20
KGP	Kerb Plate	\$4.10	\$3.45	\$2.80

THE ADJUSTABLE 'KICKER'

FORMWORK BRACE

Allcraft are the exclusive New South Wales Agent for Adjustable Kickers.

These reusable form work braces are perfect for fast set up and pull down of timber and steel form boards on sloping sites or uneven ground. Adjustable Kickers are a cost effective option for tilt slab pours, bridge building and slab on ground applications.



IF YOU PURCHASE 10 OR MORE 'KICKERS' YOU WILL RECEIVE 2 FREE STEEL FORMWORK PINS WITH EVERY KICKER



FIND OUT MORE FEATURES AND BENEFITS BY VISITING THE ALLCRAFT WEBSITE: WWW.ALLCRAFT.NET.AU

PRODUCT CODE	TYPE & SIZE	PRICE EXCL. GST
FORMWORK BRACE		
FB-K200	Adjustable Kicker 200mm	\$69.90
FB-K300	Adjustable Kicker 300mm	\$75.60
FB-K400	Adjustable Kicker 400mm	\$79.95

FORMWORK

PIER TUBE - STEEL BASED

Pier liners are used for creating concrete columns and piers or for forming voids. Choose from diameters of 300mm, 400mm or 600mm.



PRODUCT CODE	DIMENSIONS		WEIGHT	PRICE EXCL. GST
	DIAMETRE	STANDARD GAUGE		
PIER TUBES	DIAMETRE	STANDARD GAUGE	KG / M	\$ / M
PT-S203	203	0.6mm (24#)	3.88	\$43.40
PT-S254	254	0.6mm (24#)	4.92	\$54.25
PT-S305	305	0.6mm (24#)	5.96	\$65.10
PT-S356	356	0.6mm (24#)	6.86	\$75.95
PT-S406	406	0.6mm (24#)	7.90	\$86.80
PT-S457	457	0.6mm (24#)	8.95	\$97.65
PT-S508	508	0.6mm (24#)	9.84	\$106.95
PT-S559	559	0.6mm (24#)	13.12	\$142.60
PT-S610	610	0.8mm (22#)	14.31	\$156.55
PT-S660	660	0.8mm (22#)	15.51	\$168.95
PT-S711	711	1.0mm (20#)	21.02	\$222.00
PT-S762	762	1.0mm (20#)	22.36	\$235.50
PT-S813	813	1.0mm (20#)	23.85	\$250.50
PT-S865	865	1.0mm (20#)	25.35	\$267.00
PT-S914	914	1.0mm (20#)	26.84	\$282.00
PT-S965	965	1.0mm (20#)	28.33	\$298.50
PT-S1016	1016	1.2mm (18#)	39.81	\$418.50
PT-S1069	1069	1.2mm (18#)	41.75	\$439.50
PT-S1118	1118	1.2mm (18#)	43.68	\$459.00
PT-S1168	1168	1.2mm (18#)	45.77	\$481.50
PT-S1219	1219	1.2mm (18#)	47.71	\$501.00
PT-S1270	1270	1.6mm (16#)	62.17	\$654.00
PT-S1321	1321	1.6mm (16#)	64.56	\$678.00

PIER TUBES ALSO AVAILABLE IN PLASTIC AND CARDBOARD

TIE WIRE

Black and galvanised tie wire



PRODUCT CODE	DESCRIPTION	SIZE	PRICE EXCL. GST		
			1-99	100-639	640+
TIE WIRE - COIL			1-99	100-639	640+
TW-MC95B	Mini Coil Tie Wire Beltpacks - Black	1.57mm x 95m	\$5.85	\$4.20	\$3.50
TW-MC95G	Mini Coil Tie Wire Beltpacks - Galvanised	1.57mm x 95m	\$11.90	\$10.20	\$8.60
TIE WIRE - STRAIGHT CUT			1-39	40-399	400+
TW-CL280G	Cut Length Tie Wire - Galvanised	280mm 3kg / Bundle	\$29.90	\$25.90	\$19.95
TW-CL350G	Cut Length Tie Wire - Galvanised	350mm 3kg / Bundle	\$32.65	\$26.70	\$20.90

BAG/LOOP TIES

BUNDLES OF 2000



PRODUCT CODE	LENGTH	PRICE (PRICE EXCLUDES GST)		
		1-9	10-29	30+
BAG TIES - BLACK	MM	1-9	10-29	30+
BT-110	110	\$34.80	\$29.90	\$27.35
BT-125	125	\$36.45	\$30.80	\$28.20
BT-150	150	\$38.75	\$34.50	\$31.90
BT-200	200	\$58.60	\$53.80	\$49.95
BT-250	250	\$78.20	\$72.95	\$68.56
BT-300	300	\$79.90	\$74.20	\$69.86



SCAN HERE TO VIEW TIE-WIRE TWISTERS IN OUR ONLINE SHOP



FORMWORK

FORMWORK CONDUIT



FC-20

FCC

PRODUCT CODE	TYPE	SIZE	PRICE EXCL. GST	
FORMWORK CONDUIT			25-249	250+
FC-320	Formwork Conduit	20mm x 3m	\$6.90	\$5.40
FORMWORK CONDUIT CONES		QTY/BAG	1-9 BAGS	10+ BAGS
FCC	Formwork Conduit Cones	1000	\$27.30	\$21.95

FORMWORK PLUGS

These plugs are used to fill unwanted tie bar holes in formply and formwork to facilitate the re-use of formwork. Slightly tapered to ensure tight fit.



PRODUCT CODE	TYPE	SIZE	PRICE EXCL. GST		
FORMWORK PLUGS			200-599	600-999	1000+
FP-19	Formwork Plugs	19mm	\$0.25	\$0.20	\$0.18

Also available in 17mm and 21mm

RELEASE AGENTS / FORM OIL

Oil-based release agent specifically formulated for applications on timber and steel formwork



PRODUCT CODE	TYPE	VOLUME	PRICE EXCL. GST	
RELEASE AGENT / FORM OIL			1-5	6+
FO-S020	Stripform - Petroleum Based	20 L	\$182.90	\$171.50
FO-S200	Stripform - Petroleum Based	200 L	\$1544.50	\$1447.90

PACKERS AND SPACERS



Designed for levelling objects with a high load mass. Ideally suited to pre-cast panels.

PRODUCT CODE	DIMENSIONS	QTY	COLOUR	PRICE EXCL. GST	
PACKERS & SPACERS		PER BOX		1-9	10+
SHIM-S01	100 x 1 x 150mm	100	Brown	\$28.80	\$24.35
SHIM-S02	100 x 2 x 150mm	200	Blue	\$57.95	\$52.50
SHIM-S03	100 x 3 x 150mm	100	Green	\$48.90	\$43.35
SHIM-S05	100 x 5 x 150mm	100	Yellow	\$58.70	\$53.20
SHIM-S10	100 x 10 x 150mm	40	Black	\$52.90	\$46.75
SHIM-S15	100 x 15 x 150mm	40	Grey	\$75.65	\$67.80
SHIM-S20	100 x 20 x 150mm	30	White	\$69.90	\$59.95

RELEASE AGENTS / FORM OIL

Lanotec release agent is a multi-purpose concentrate derived from Lanolin and can be used as a release agent, bond breaker, mould oil, lubricant or surface protectant for scaffolding and equipment. It is safe to use on most surfaces including: steel, timber, plywood, PVC, rubber, polypropylene, plastic or fibre-glass and is safe to use in environmentally sensitive areas and waterways.

Depending on the application, Lanotec should be diluted with water before application creating exceptional economy but once mixed, must be used within 2 days.



PRODUCT CODE	TYPE	VOLUME	PRICE EXCL. GST	
RELEASE AGENT / FORM OIL			1-5	6+
FO-20L	Lanotec Lanolin-based	20L	\$509.30	\$431.25

FORMWORK Z BAR PRODUCTS

Z BAR ROD

Used in a tie system to hold wall on column formwork together while concrete is being poured.
Quick, easy and re-useable



PRODUCT CODE	TYPE	SIZE	PRICE EXCL. GST	
			1-49	50+
FORMWORK Z BAR				
FZ-B151.2	Z-Bar	15mm x 1.2m	\$14.00	\$12.60
FZ-B151.5	Z-Bar	15mm x 1.5m	\$16.35	\$14.72
FZ-B151.6	Z-Bar	15mm x 6m	\$54.80	\$49.50

Z BAR PLATE

- Pressed flange plate
- Used in completion with the Z Bar Rod and Wing Nuts
- Creates a larger surface area



PRODUCT CODE	TYPE	SIZE	PRICE EXCL. GST		
			1-49	50-499	500=
Z-Bar Plate					
FZ-PW10	Z-Bar Plate	125mm x 125mm x 10mm	\$4.70	\$4.26	\$3.82

Z BAR JOINERS

Can create a full-strength, mechanised joint between 2 threaded Z-bar Rods.



PRODUCT CODE	TYPE	SIZE	PRICE EXCL. GST	
			1-49	50+
FORMWORK Z BAR				
FZ-J50	Z-Bar Joiners	50mm Machine Steel	\$4.65	\$3.90
FZ-J100	Z-Bar Joiners	100mm Machine Steel	\$6.60	\$5.30

ASK OUR FRIENDLY TEAM ABOUT OUR RANGE OF LIFTING SYSTEMS...



...AND FERRULES

Z BAR NUT

- High strength steel for high load rating
- Re-useable
- Compatible with Z-bar Rod



PRODUCT CODE	TYPE	PRICE EXCL. GST	
		1-19	20+
Z BAR NUT			
FZ-WN1	Z-Bar Nut - Single Arm	\$2.70	\$2.43

Z BAR NUT - DOUBLE ARM

- High strength steel for high load rating
- Re-useable
- Compatible with Z-bar Rod



PRODUCT CODE	TYPE	PRICE EXCL. GST	
		1-19	20+
Z BAR NUT - DOUBLE ARM			
FZ-WN2	Z-Bar Nut - Double Arm	\$3.51	\$3.16

Z BAR TIE NUT

- High strength steel for high load rating
- Re-useable
- Compatible with Z-bar Rod



PRODUCT CODE	TYPE	PRICE EXCL. GST	
		1-19	20+
Z BAR TIE NUT			
FZ-TN	Z-Bar Tie Nut	\$4.45	\$3.90

Z BAR TIE WATERSTOP

Galvanised

Used in water retaining structures to prevent water seeping along the Z-bar Rod.

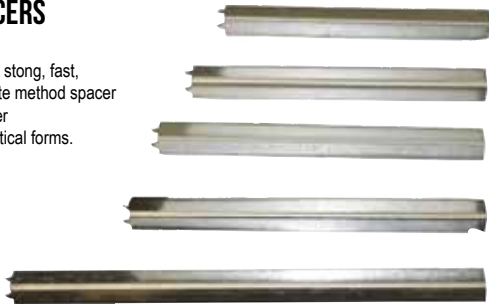


PRODUCT CODE	TYPE	PRICE EXCL. GST	
		1-19	20+
Z BAR WATERSTOP			
FZ-WS	Z-Bar Tie Waterstop	\$5.90	\$4.75

COIL TIES & SOFFIT SPACERS

SOFFIT SPACERS

- Used to create a strong, fast, single and accurate method spacer between the timber horizontal and vertical forms.



PRODUCT CODE	DESCRIPTION	QTY/PACK	PRICE EXCL. GST	
			50-499	500+
SOFFIT SPACERS				
SS-150	Soffit Spacers 150mm	50	\$0.84	\$0.76
SS-175	Soffit Spacers 175mm	50	\$0.84	\$0.76
SS-200	Soffit Spacers 200mm	50	\$0.84	\$0.76
SS-225	Soffit Spacers 225mm	50	\$0.84	\$0.76
SS-250	Soffit Spacers 250mm	50	\$0.84	\$0.76
SS-275	Soffit Spacers 275mm	50	\$0.84	\$0.76
SS-300	Soffit Spacers 300mm	50	\$1.25	\$1.13
SS-325	Soffit Spacers 325mm	50	\$1.25	\$1.13
SS-350	Soffit Spacers 350mm	50	\$1.25	\$1.13
SS-375	Soffit Spacers 375mm	50	\$1.25	\$1.13
SS-400	Soffit Spacers 400mm	50	\$1.25	\$1.13

COIL TIE CONES



PRODUCT CODE	TYPE	QTY/PK	PRICE EXCL. GST	
			1-9PK	10+
COIL TIE CONES				
FCTC-25	Coil Tie Cones - 25mm	500	\$255.50	\$228.80
FCTC-37.50	Coil Tie Cones - 37.5mm	500	\$420.00	\$355.60

COIL TIE ROD



PRODUCT CODE	TYPE	PRICE EXCL. GST	
		1-99	100+
COIL TIE ROD			
FCTR-3	Coil Tie Rod - 3m	\$16.55	\$14.89

COIL TIES

- Coil ties are one of most economical and versatile forms of tie systems.



PRODUCT CODE	SIZE	PRICE EXCL. GST	
		100-499	500+
COIL TIES			
FCT-125	125mm	\$1.17	\$1.06
FCT-150	150mm	\$1.22	\$1.09
FCT-175	175mm	\$1.29	\$1.16
FCT-200	200mm	\$1.29	\$1.16
FCT-225	225mm	\$1.53	\$1.38
FCT-250	250mm	\$1.59	\$1.43
FCT-275	275mm	\$1.64	\$1.47
FCT-300	300mm	\$1.71	\$1.54
FCT-325	325mm	\$1.94	\$1.74
FCT-350	350mm	\$1.97	\$1.77
FCT-375	375mm	\$2.04	\$1.84
FCT-400	400mm	\$2.19	\$1.97
FCT-425	425mm	\$2.28	\$2.05
FCT-450	450mm	\$2.46	\$2.21
FCT-475	475mm	\$2.46	\$2.21
FCT-500	500mm	\$2.64	\$2.38
FCT-525	525mm	\$2.56	\$2.32
FCT-550	550mm	\$2.72	\$2.47
FCT-575	575mm	\$2.85	\$2.58
FCT-600	600mm	\$2.90	\$2.62

COIL TIE BOLTS

- Used to connect the form to the coil tie.



PRODUCT CODE	LENGTH	PRICE EXCL. GST	
		100-499	500+
COIL TIE BOLTS			
FCTB-300	300mm	\$3.95	\$3.60
FCTB-405	405mm	\$9.35	\$8.50
FCTB-500	500mm	\$10.05	\$9.15

AFS REDIWALL

AFS Rediwall® is a PVC permanent formwork system and a time-saving alternative to conventional masonry and blockwork. Its precision-extruded components easily interconnect for rapid installation and there is no specialised training needed. AS3600-compliant, rediwall® is load bearing for multi-level structures providing a consistently clean, even and water-resistant surface that often doesn't require any finishing.

Offered in four profile widths, the rediwall® range solves above - and below - ground walling needs, from basements, columns, party walls, lift/stair cores, through to retention tanks and retaining walls.

REDIWALL WALL PANEL



RWP156

RWP200

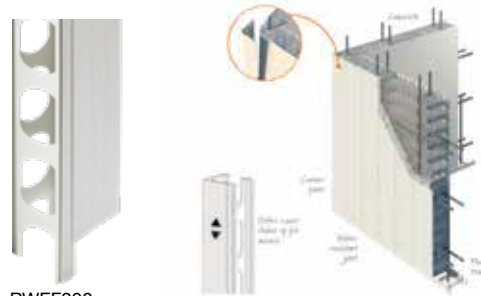
RWP256

PRODUCT CODE	DIMENSIONS	UNITS	PRICE EXCL. GST
SPEED-SNAP-IN™	(MM X M)		PER M²
RWP110	110 x Custom m	M ²	POA
RWP156	156 x Custom m	M ²	POA
RWP200	200 x Custom m	M ²	POA
SLIDE IN	(MM X M)		PER M²
RWP256	256 x Custom m	M ²	POA

REDIWALL EZY-FIT™ CORNER

The Ezy-Fit™ open-back corner gives unobstructed access for trouble-free installation of reinforcement bars.

The Ezy-Fit™ corner is currently available for our 110mm, 156mm and 200mm panels.



RWEF200

PRODUCT CODE	DIMENSIONS	UNITS	PRICE EXCL. GST
	(MM X M)		PER M²
RWEF110	110 x Custom m	M ²	POA
RWEF156	156 x Custom m	M ²	POA
RWEF200	200 x Custom m	M ²	POA

REDIWALL FLOOR TRACK

The PVC track used to set the bottom line of the wall. Laid flat, the floor track has large holes for starter bars, etc. The sides are for both locating the panels and for screw fixing to the bottom of the panels.



RWFT200

PRODUCT CODE	DIMENSIONS	UNITS	PRICE EXCL. GST
	(MM X M)		
RWFT110	110 x Custom m	PCS	POA
RWFT156	156 x Custom m	PCS	POA
RWFT200	200 x Custom m	PCS	POA
RWFT256	256 x Custom m	PCS	POA

REDIWALL T-JOINER

A PVC extruded panel that is fixed vertically to the face of a through wall to start a T-Wall, where the T-Wall is close to 90 degrees. Has holes in its face to assist alignment when drilling the through wall for reo bar placement.



RWTJ156

PRODUCT CODE	DIMENSIONS	UNITS	PRICE EXCL. GST
	(MM X M)		
RWTJ110	110 x Custom m	PCS	POA
RWTJ156	156 X Custom m	PCS	POA
RWTJ200	200 x Custom m	PCS	POA
RWTJ256	256 x Custom m	PCS	POA

REDIWALL END CAP

For capping off wall ends and openings. A slide on connection with a 30mm side for fixing with screws or glue. Can be installed before or after the wall is filled.



PRODUCT CODE	DIMENSIONS	UNITS	PRICE EXCL. GST
	(MM X M)		
RWEC110	110 x Custom m	PCS	POA
RWEC156	156 X Custom m	PCS	POA
RWEC200	200 x Custom m	PCS	POA
RWEC256	256 x Custom m	PCS	POA

REDIWALL

REDIWALL H-JOINER

A slide together PVC extruded panel primarily used horizontally on external walls where it is laid along the straightened top of panels to act as a bottom track for the next level of panels.

RWHJ156



PRODUCT CODE	DIMENSIONS	UNITS	PRICE EXCL. GST
	(MM X M)		
RWHJ110	110 x Custom m	PCS	POA
RWHJ156	156 X Custom m	PCS	POA
RWHJ200	200 x Custom m	PCS	POA
RWHJ256	256 x Custom m	PCS	POA

REDIWALL J-TRACK

A slide together PVC extruded panel primarily used horizontally on external walls where an edge-form slab is to be formed. It is laid along the straightened top of the panels to act as bottom track of the next level of panels and to assist with the edge-form preparation.

RWJT156



PRODUCT CODE	DIMENSIONS	UNITS	PRICE EXCL. GST
	(MM X M)		
RWJT110	110 x Custom m	PCS	POA
RWJT156	156 X Custom m	PCS	POA
RWJT200	200 x Custom m	PCS	POA
RWJT256	256 x Custom m	PCS	POA

REDIWALL SQUINT ANGLE



PRODUCT CODE	DESCRIPTION	UNITS	PRICE EXCL. GST
RWSA	Squint Angle	PCS	POA

REDIWALL CEMENT STRIP



PRODUCT CODE	DIMENSIONS	UNITS	PRICE EXCL. GST
	(MM X M)		
RWCS110	110 x Custom m	PCS	POA
RWCS156	156 X Custom m	PCS	POA
RWCS200	200 x Custom m	PCS	POA
RWCS256	256 x Custom m	PCS	POA

REDIWALL SPACER

An extruded PVC panel used to adjust the length of a wall. Adjoining panels are fitted using the male to female clip-in system. Used primarily close to the closure of a wall. Has two internal webs with kidney shaped holes for single, or double reo bar placement by inverting the panel.



PRODUCT CODE	DIMENSIONS	UNITS	PRICE EXCL. GST
	(MM X M)		
RWS110	110 x Custom m	PCS	POA
RWS156	156 X Custom m	PCS	POA
RWS200	200 x Custom m	PCS	POA
RWS256	256 x Custom m	PCS	POA

REDIWALL® BENEFITS



Speed of construction



Lightweight durable system



Ease of materials handling



Above and below ground versatility



Load bearing structure



Speedy Snap-In™ panels lock together instantly



Ezy-Fit™ corner panels slide open for access



CodeMark certified compliance assured



AS3600 compliant



Water resistant



Fire performance



Significant waste reduction



DAMPCOURSE & FOAM BACKING ROD

FOAM BACKING ROD CLOSED CELL

Closed cell backing rod is a compressable polyethylene foam rod.

It is used as a backing for cold applied sealants in expansion/ construction joints and building seal applications.

It is CFC free, non toxic, odourless and has no adhesion to sealants.



PRODUCT CODE	DIMENSIONS	QTY PER CTN	PRICE EXCL. GST	
			1 ROLL - 1 CTN	1 CTN +
FRD-06	6mm x 250m	18	\$75.50	\$66.85
FRD-10	10mm x 250m	24	\$27.50	\$24.10
FRD-13	13mm x 50m	6	\$92.40	\$81.80
FRD-15	15mm x 50m	16	\$35.50	\$31.10
FRD-20	20mm x 50m	10	\$48.15	\$42.60
FRD-25	25mm x 50m	6	\$71.05	\$62.90
FRD-30	30mm x 50m	4	\$99.90	\$89.40
FRD-40	40mm x 2m	80	\$8.15	\$6.90
FRD-50	50mm x 2m	50	\$10.25	\$8.40

BIPLAS SUPER

Specially formulated liquid mortar admixture for cement lime mortar and bricklayers mortar.



PRODUCT CODE	DESCRIPTION	PRICE EXCL. GST	
		1-11	12+
BC-05	Biplas Super - 5L	\$19.80	\$17.45

DAMPCOURSE - POLY FLASH

Polyflash is a bitumen coated 99% pure aluminium foil core dampcourse laminated both sides with polyethylene film, embossed to provide a mortar key. The aluminium foil core is coated with bitumen and polyethylene to prevent lateral corrosion.



PF45010

PRODUCT CODE	DIMENSIONS	WEIGHT	PRICE EXCL. GST	
			1-9	10+
POLYFLASH: ALUMINIUM AND POLYTHENE / LAMINATED BITUMEN DAMPCOURSE				
PF35020	350mm x 20m	3.50Kg	\$120.10	\$108.85

FLASHING - ALUMINIUM

Flashguard is a fully annealed 99% pure raw aluminium flashing. It is impervious to moisture, easily dressed, tough and light weight. It is designed for use in building situations with aluminium, zincalume or colourbond roofing sections. It can be used to protect timber exposed to severe weather and extreme temperature.



PRODUCT CODE	DIMENSIONS	WEIGHT	PRICE EXCL. GST	
			1-9	10+
ALLUMINIUM	(MM X MM X M)			
FG150310	150 x .3 x 10	1.22Kg	\$30.50	\$27.65
FG230310	230 x .3 x 10	1.87Kg	\$46.70	\$42.35
FG300310	300 x .3 x 10	2.44Kg	\$60.90	\$55.20
FG150320	150 x .3 x 20	2.44kg	\$60.90	\$55.20
FG230320	230 x .3 x 20	3.74Kg	\$93.45	\$84.65
FG300320	300 x .3 x 20	4.88Kg	\$122.80	\$111.30
FG150710	150 x .7 x 10	2.85Kg	\$89.50	\$81.10
FG230710	230 x .7 x 10	4.36Kg	\$137.20	\$124.35
FG300710	300 x .7 x 10	5.69Kg	\$178.95	\$162.15

SCAN THE QR CODE TO TAKE YOU TO OUR WEBSITE! WWW.ALLCRAFT.NET.AU.



SCAN ME

DAMPCOURSE

DAMPCOURSE - ALCOR

Alcor is a bitumen coated fully annealed 99% pure aluminium core dampcourse. The aluminium core is coated with bitumen on both sides and edges to prevent lateral corrosion.

It is used as a dampcourse in brickwork and blockwork and is impervious to moisture, providing a protective barrier against rising damp. Alcor is not affected by lime and cement.

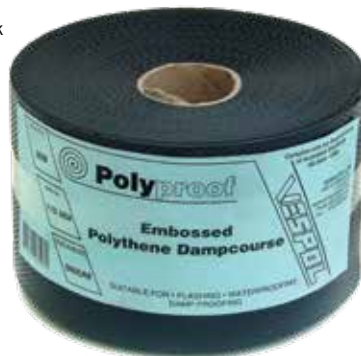


PRODUCT CODE	SIZE	WEIGHT	PRICE EXCL. GST	
Standard Alcor: .3mm Bitumen Coated Aluminium			1-9	10+
A11010	110mm x 10m	1.5Kg	\$15.85	\$14.35
A15010	150mm x 10m	2.2Kg	\$21.60	\$19.50
A23010	230mm x 10m	3.0Kg	\$33.00	\$29.90
A30010	300mm x 10m	4.3Kg	\$43.20	\$39.00
A35010	350mm x 10m	4.5Kg	\$50.40	\$45.50
A38010	380mm x 10m	5.0Kg	\$54.80	\$49.50
A45010	450mm x 10m	6.0Kg	\$64.75	\$58.50
A60010	600mm x 10m	8.0Kg	\$86.35	\$78.00
A11030	110mm x 30m	4.5Kg	\$47.10	\$42.55
A15030	150mm x 30m	6.5Kg	\$63.90	\$57.70
A23030	230mm x 30m	9.0Kg	\$98.10	\$88.60
A30030	300mm x 30m	13.0Kg	\$128.10	\$115.75
A35030	350mm x 30m	13.5Kg	\$149.25	\$134.80
A38030	380mm x 30m	15.0Kg	\$162.25	\$146.55
A45030	450mm x 30m	18.0Kg	\$192.00	\$173.45
A60030	600mm x 30m	24.0Kg	\$256.20	\$231.40

PRODUCT CODE	SIZE	WEIGHT	PRICE EXCL. GST	
SUPER ALCOR: .45MM BITUMEN COATED ALUMINIUM			1-9	10+
SA11030	110mm x 30m	5.0Kg	\$71.35	\$64.45
SA15030	150mm x 30m	7.0Kg	\$100.10	\$90.45
SA23030	230mm x 30m	12.5Kg	\$148.40	\$134.05
SA30030	300mm x 30m	16.0Kg	\$194.30	\$175.50
SA35030	350mm x 30m	20.0Kg	\$226.30	\$204.40
SA38030	380mm x 30m	21.0Kg	\$246.10	\$222.30
SA45030	450mm x 30m	24.0Kg	\$291.15	\$262.95
SA60030	600mm x 30m	36.0Kg	\$388.45	\$350.90

DAMPCOURSE - POLYPROOF

Polyproof is a polyethelene dampcourse. It is a 500um thick, black polyethelene strip with an embossed surface that reduces slippage in use. Polyproof is effective in providing moisture protection for use as a dampcourse material.



PP11030

PRODUCT CODE	DIMENSIONS	WEIGHT	PRICE EXCL. GST	
POLYPROOF: 500UM EMBOSSED POLYTHENE DAMPCOURSE			1-9	10+
PP11030	110mm x 30m	1.56Kg	\$8.60	\$7.80
PP15030	150mm x 30m	2.10Kg	\$11.75	\$10.65
PP23030	230mm x 30m	3.27Kg	\$17.90	\$16.25
PP30030	300mm x 30m	4.26Kg	\$23.40	\$21.20
PP35030	350mm x 30m	4.86Kg	\$27.35	\$24.80
PP38030	380mm x 30m	5.40Kg	\$29.65	\$26.85
PP45030	450mm x 30m	6.38Kg	\$34.70	\$31.45
PP60030	600mm x 30m	8.52Kg	\$46.85	\$42.45

DAMPCOURSE - VESFELT

Vesfelt is a fibre felt dampcourse impregnated in bitumen then covered in fine sand to prevent sticking when being rolled out.

It is used as a dampcourse in brick and block walls, waterproofing of flat roofs and under corrugated iron water tanks to prevent condensation corrosion.



VS110

PRODUCT CODE	DIMENSIONS	WEIGHT	PRICE EXCL. GST	
VESFELT: BITUMEN FIBRE DAMPCOURSE			1-9	10+
VS90	90mm x 20m	3.5Kg	\$15.95	\$14.45
VS110	110mm x 20m	4.0Kg	\$18.55	\$16.80
VS150	150mm x 20m	5.5Kg	\$25.30	\$22.95
VS230	230mm x 20m	8.5Kg	\$38.80	\$35.15
VS300	300mm x 20m	11.0Kg	\$50.60	\$45.85
VS350	350mm x 20m	14.0Kg	\$59.05	\$53.50
VS450	450mm x 20m	17.0Kg	\$75.90	\$68.80
VS1000	1000mm x 20m	36.0Kg	\$145.10	\$131.50

BRICKTOR & TIES

BRICKTOR

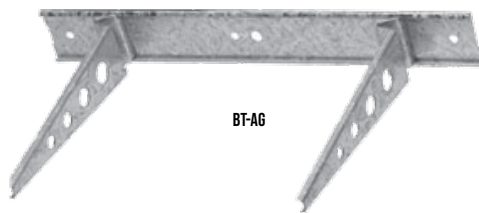
- Galvanised woven mesh
- Joint flexibility and reinforcement
- Designed to reduce cracking in brickwork



PRODUCT CODE	DIMENSIONS	PRICE EXCL. GST		
		1-9	10-49	50+
BRICKTOR				
BT-7046	70mm x 46m	\$22.85	\$19.90	\$16.75

ALLIGATOR TIES

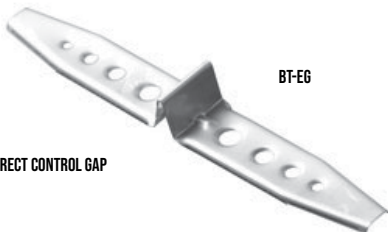
GALVANISED



BT-AG

PRODUCT CODE	DESCRIPTION	QTY / BOX	PRICE EXCL. GST	
			1-49	50+
ALLIGATOR TIES				
BT-0626	Alligator Block Ties - Galvanised	10	\$50.20	\$45.10

EXPANSION TIES



BT-EG

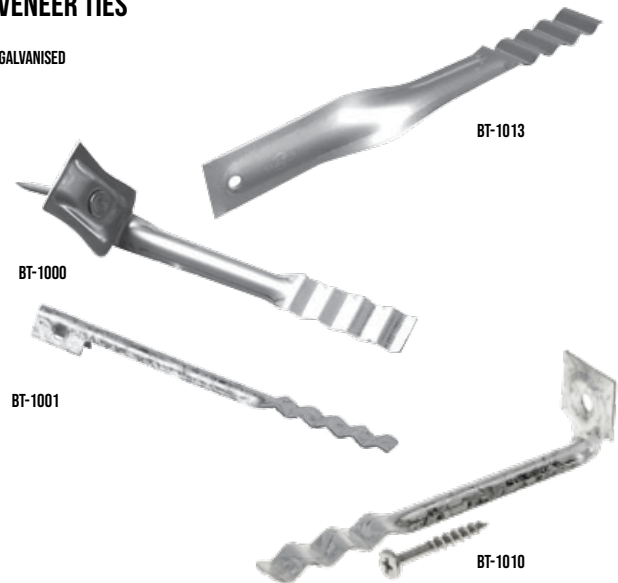
PROVIDES CORRECT CONTROL GAP

GALVANISED

PRODUCT CODE	DESCRIPTION	QTY / BOX	PRICE EXCL. GST	
			1-49	50+
EXPANSION TIES				
BT-0610	Expansion Tie - Galvanised	20	\$36.15	\$31.50

VENEER TIES

GALVANISED



BT-1013

BT-1000

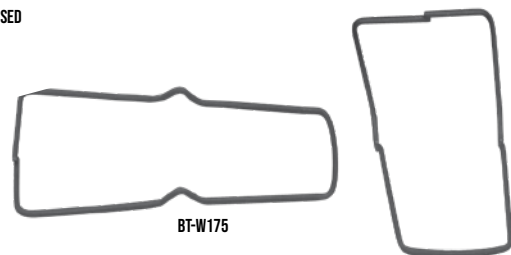
BT-1001

BT-1010

PRODUCT CODE	DESCRIPTION	QTY / BOX	PRICE EXCL. GST	
			1-49	50+
VENEER TIES				
BT-1000	Veneer Ties Light Duty Galvanised - Face Fixing + Nails	150	\$33.40	\$25.95
BT-1001	Veneer Ties Light Duty Galvanised - Side Fixing + Nails	150	\$33.40	\$25.95
BT-1013	Veneer Twisted Ties - Galvanised + Nails	150	\$39.60	\$34.25
BT-1010	Veneer Medium Duty Galvanised - Face Fixing with Screw	150	\$48.95	\$38.70

WALL TIES

GALVANISED



BT-W175

PRODUCT CODE	SIZE	QTY / BAG	PRICE EXCL. GST	
			1-9	10+
WALL TIES MEDIUM DUTY				
BT-WT175	175mm	50	\$11.75	\$9.90
BT-WT195	195mm	50	\$13.90	\$11.15
BT-WT225	225mm	50	\$16.95	\$13.10
BT-WT300	300mm	250	\$259.85	\$233.90

TIES & STRAPPING

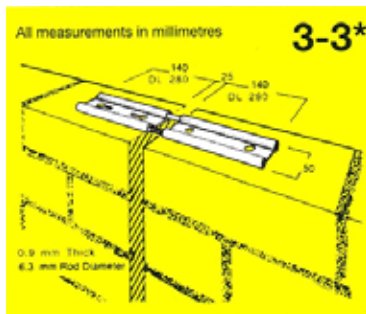
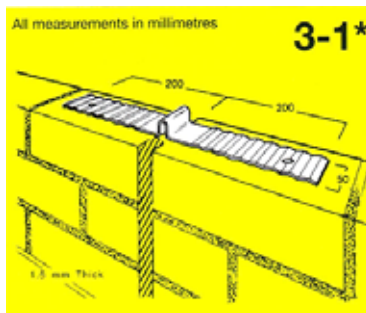
FRAME TIES

GALVANISED



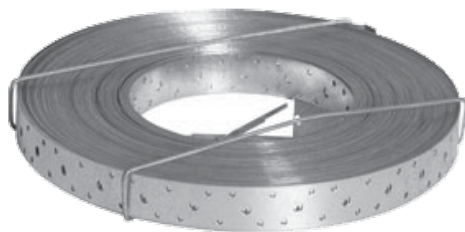
PRODUCT CODE	DESCRIPTION	SIZE	PRICE EXCL. GST	
			1-19	20+
FRAME TIES				
BT-0504	Frame Ties - Galvanised	230	\$83.20	\$72.15
BT-0505	Frame Ties - Galvanised	300	\$182.55	\$158.20

VERTICAL EXPANSION JOINT TIES



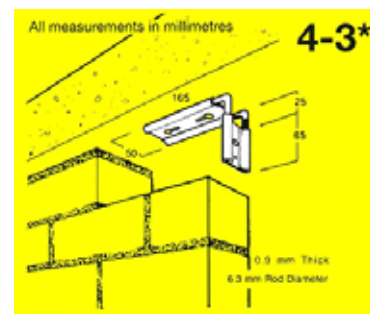
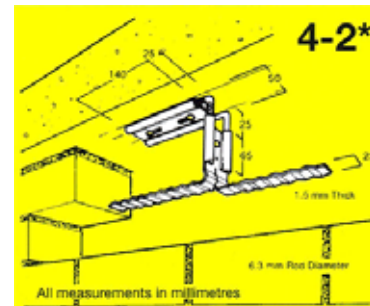
PRODUCT CODE	DESCRIPTION	QTY / BOX	PRICE EXCL. GST	
			1-19	20+
VERTICAL EXPANSION JOINT TIES				
BT-3-1	Vertical Expansion Joint Ties	50	\$121.25	\$109.10
BT-3-3	Vertical Expansion Joint Ties	50	\$125.30	\$112.60

PERFORATED STRAPPING



PRODUCT CODE	DESCRIPTION	PRICE EXCL. GST
PS-Size	Perforated Strapping - all sizes available in 25mm & 30mm wide strapping	\$POA

HEAD RESTRAINT TIES



PRODUCT CODE	DESCRIPTION	QTY / BOX	PRICE EXCL. GST	
			1-19	20+
HEAD RESTRAINT TIES				
BT-4-2	Head Restraint Ties	50	\$218.25	\$196.40
BT-4-3	Head Restraint Ties	50	\$145.10	\$126.40

PERFORATED STRAPPING TENSIONER



PRODUCT CODE	DESCRIPTION	PRICE EXCL. GST
PS-T	Perforated Strapping Tensioner	\$POA

LINTELS

BRICK VENTS

BV-SSM



PRODUCT CODE	TYPE	SIZE	PRICE EXCL. GST		
			1-19	20-99	100+
BRICK VENTS		(MM)			
BV-SSM	Slimline Gal. Brick Vent with Mesh	230 x 75	\$5.80	\$4.95	\$4.55

TERMITE CAPS

Termite Caps are used to deter concealed entry by termites into a building. Galvanised.

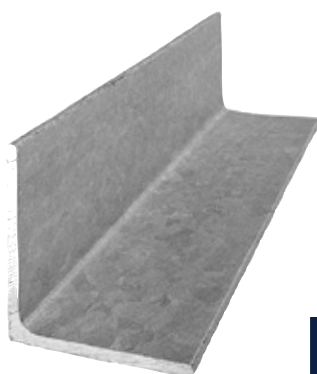
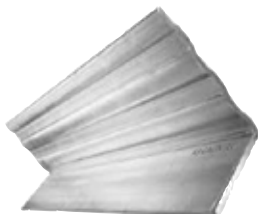


TC230115

PRODUCT CODE	DESCRIPTION	SIZE	PRICE EXCL. GST	
			1-24	25+
TERMITE CAPS GALVANISED		(MM)		
TC-230230	Termite Cap	230 x 230	\$5.15	\$4.80

LINTEL - V BAR

- Hot-dip Galvanised
- Manufactured to AS/1025 4680:2006
- R3 Durability rating

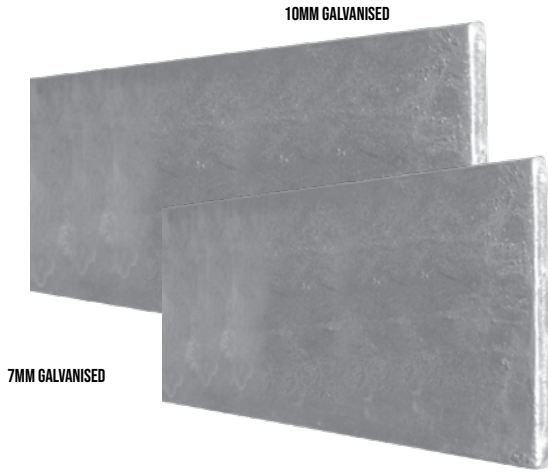


PRODUCT CODE	DESCRIPTION	STOCK LENGTHS	PRICE EXCL. GST
V BAR LINTELS - 6MM			
L-V6-100-900	100mm x 100mm x 6mm V Bar	900mm	\$34.50
L-V6-100-1200	100mm x 100mm x 6mm V Bar	1200mm	\$46.00
L-V6-100-1500	100mm x 100mm x 6mm V Bar	1500mm	\$57.50
L-V6-100-1800	100mm x 100mm x 6mm V Bar	1800mm	\$69.00
L-V6-100-2100	100mm x 100mm x 6mm V Bar	2100mm	\$80.50
L-V6-100-2400	100mm x 100mm x 6mm V Bar	2400mm	\$92.00
L-V6-100-2700	100mm x 100mm x 6mm V Bar	2700mm	\$103.50
L-V6-150-1800	150mm x 100mm x 6mm V Bar	1800mm	\$88.70
L-V6-150-2100	150mm x 100mm x 6mm V Bar	2100mm	\$103.50
L-V6-150-2400	150mm x 100mm x 6mm V Bar	2400mm	\$118.30
L-V6-150-2700	150mm x 100mm x 6mm V Bar	2700mm	\$133.10
L-V6-150-3000	150mm x 100mm x 6mm V Bar	3000mm	\$147.85
L-V6-150-3300	150mm x 100mm x 6mm V Bar	3300mm	\$162.65
L-V6-150-3600	150mm x 100mm x 6mm V Bar	3600mm	\$177.40
L-V6-150-4000	150mm x 100mm x 6mm V Bar	4000mm	\$197.15

PRODUCT CODE	DESCRIPTION	STOCK LENGTHS	PRICE EXCL. GST
V BAR LINTELS - 10MM			
L-V10-100-1200	100mm x 75mm x 10mm V Bar	1200mm	\$98.65
L-V10-100-1500	100mm x 75mm x 10mm V Bar	1500mm	\$123.30
L-V10-100-1800	100mm x 75mm x 10mm V Bar	1800mm	\$147.95
L-V10-100-2100	100mm x 75mm x 10mm V Bar	2100mm	\$172.60
L-V10-100-2400	100mm x 75mm x 10mm V Bar	2400mm	\$197.25
L-V10-100-2700	100mm x 75mm x 10mm V Bar	2700mm	\$221.90
L-V10-100-3000	100mm x 75mm x 10mm V Bar	3000mm	\$246.55
L-V10-150-1800	150mm x 100mm x 10mm V Bar	1800mm	\$228.80
L-V10-150-2100	150mm x 100mm x 10mm V Bar	2100mm	\$266.95
L-V10-150-2400	150mm x 100mm x 10mm V Bar	2400mm	\$305.10
L-V10-150-2700	150mm x 100mm x 10mm V Bar	2700mm	\$343.20
L-V10-150-3000	150mm x 100mm x 10mm V Bar	3000mm	\$381.35
L-V10-150-3300	150mm x 100mm x 10mm V Bar	3300mm	\$419.50
L-V10-150-3600	150mm x 100mm x 10mm V Bar	3600mm	\$457.65
L-V10-150-4000	150mm x 100mm x 10mm V Bar	4000mm	\$508.45
L-V10-150-4500	150mm x 100mm x 10mm V Bar	4500mm	\$572.05
L-V10-150-5000	150mm x 100mm x 10mm V Bar	5000mm	\$635.60
L-V10-150-5500	150mm x 100mm x 10mm V Bar	5500mm	\$699.15
L-V10-150-6000	150mm x 100mm x 10mm V Bar	6000mm	\$762.70

LINTELS

LINTEL - FLAT BAR



- MANUFACTURED TO AS/1025 4680:2006
- R3 DURABILITY RATING

PRODUCT CODE	DESCRIPTION	STOCK LENGTHS	PRICE EXCL. GST
FLAT BAR LINTELS - 7MM			
L-F85-7-0.8	85mm x 7mm Flat Bar	800mm	\$19.55
L-F85-7-0.9	85mm x 7mm Flat Bar	900mm	\$22.00
L-F85-7-1.0	85mm x 7mm Flat Bar	1000mm	\$24.45
L-F85-7-1.1	85mm x 7mm Flat Bar	1100mm	\$26.90
L-F85-7-1.2	85mm x 7mm Flat Bar	1200mm	\$29.35

PRODUCT CODE	DESCRIPTION	STOCK LENGTHS	PRICE EXCL. GST
FLAT BAR LINTELS - 10MM			
L-F75-10-0.6	75mm x 10mm Flat Bar	600mm	\$26.05
L-F75-10-0.7	75mm x 10mm Flat Bar	700mm	\$30.40
L-F75-10-0.8	75mm x 10mm Flat Bar	800mm	\$34.75
L-F75-10-0.9	75mm x 10mm Flat Bar	900mm	\$39.05
L-F75-10-1.0	75mm x 10mm Flat Bar	1000mm	\$43.40
L-F75-10-1.1	75mm x 10mm Flat Bar	1100mm	\$47.75
L-F75-10-1.2	75mm x 10mm Flat Bar	1200mm	\$52.10
L-F75-10-1.3	75mm x 10mm Flat Bar	1300mm	\$56.45
L-F75-10-1.4	75mm x 10mm Flat Bar	1400mm	\$60.75
L-F75-10-1.5	75mm x 10mm Flat Bar	1500mm	\$65.10
L-F75-10-1.6	75mm x 10mm Flat Bar	1600mm	\$69.45
L-F75-10-1.7	75mm x 10mm Flat Bar	1700mm	\$73.75
L-F75-10-1.8	75mm x 10mm Flat Bar	1800mm	\$78.15
L-F75-10-1.9	75mm x 10mm Flat Bar	1900mm	\$82.45
L-F75-10-2.0	75mm x 10mm Flat Bar	2000mm	\$86.80

LINTELS - CONCRETE - REGULAR DUTY



- Manufactured with high-strength concrete and fire rated under load in accordance with AS1530.4-1990

PRODUCT CODE	DIMENSIONS	PRICE EXCL. GST
CONCRETE LINTELS - REGULAR DUTY		
L-C0800.9	Concrete Lintel - 110mm X 80mm X 900mm	\$30.40
L-C0801.0	Concrete Lintel - 110mm X 80mm X 1000mm	\$33.75
L-C0801.2	Concrete Lintel - 110mm X 80mm X 1200mm	\$40.50
L-C0801.5	Concrete Lintel - 110mm X 80mm X 1500mm	\$50.65
L-C0801.8	Concrete Lintel - 110mm X 80mm X 1800mm	\$60.75
L-C0802.1	Concrete Lintel - 110mm X 80mm X 2100mm	\$70.90
L-C0802.4	Concrete Lintel - 110mm X 80mm X 2400mm	\$81.00
L-C0802.7	Concrete Lintel - 110mm X 80mm X 2700mm	\$91.15
L-C0803.0	Concrete Lintel - 110mm X 80mm X 3000mm	\$101.25
L-C0803.3	Concrete Lintel - 110mm X 80mm X 3300mm	\$111.40
L-C0803.6	Concrete Lintel - 110mm X 80mm X 3600mm	\$121.50

LINTELS - CONCRETE HEAVY DUTY



PRODUCT CODE	DIMENSIONS	PRICE EXCL. GST
CONCRETE LINTELS - HEAVY DUTY		EACH
L-C1701.0	Concrete Lintel - 170mm X 110mm X 1000mm	\$52.50
L-C1701.2	Concrete Lintel - 170mm X 110mm X 1200mm	\$63.00
L-C1701.5	Concrete Lintel - 170mm X 110mm X 1500mm	\$78.75
L-C1701.8	Concrete Lintel - 170mm X 110mm X 1800mm	\$94.50
L-C1702.1	Concrete Lintel - 170mm X 110mm X 2100mm	\$110.25
L-C1702.4	Concrete Lintel - 170mm X 110mm X 2400mm	\$126.00
L-C1702.7	Concrete Lintel - 170mm X 110mm X 2700mm	\$141.75
L-C1703.0	Concrete Lintel - 170mm X 110mm X 3000mm	\$157.50
L-C1703.3	Concrete Lintel - 170mm X 110mm X 3300mm	\$173.25
L-C1703.6	Concrete Lintel - 170mm X 110mm X 3600mm	\$189.00
L-C1703.9	Concrete Lintel - 170mm X 110mm X 3900mm	\$204.75
L-C1704.2	Concrete Lintel - 170mm X 110mm X 4200mm	\$220.50
L-C1704.5	Concrete Lintel - 170mm X 110mm X 4500mm	\$236.25
L-C1705.0	Concrete Lintel - 170mm X 110mm X 5000mm	\$262.50
L-C1706.0	Concrete Lintel - 170mm X 110mm X 6000mm	\$315.00

MISCELLANEOUS

SLIPJOINT CAVITY BRIDGE

GALVANISED STEEL
PRE-GREASED WITH HIGH PRESSURE GREASE.



PRODUCT CODE	DIMENSIONS	PRICE EXCL. GST	
SLIPJOINT CAVITY BRIDGE		1-9	10+
SJC-270-18	270mm x 1.8m	\$67.50	\$59.05
SJC-270-30	270mm x 3m	\$83.70	\$73.20

CABLE / ZIP TIES

100/PACK



PRODUCT CODE	LENGTH	PACK QTY	PRICE EXCL. GST		
CABLE TIES	MM		1-19	20-99	100+
CZT-200	200	100	\$4.50	\$4.00	\$3.50
CZT-300	300	100	\$6.75	\$6.30	\$5.50
CZT-370	370	100	\$11.90	\$10.35	\$8.80
CZT-450	450	100	\$16.65	\$14.95	\$12.30
CZT-550HD	550	100	\$35.90	\$32.55	\$27.70

PRE-TAPED MASKING FILM

PRODUCT CODE	DESCRIPTION	SIZE	PRICE EXCL. GST	
PRE-TAPED MASKING FILM			1-23	24+
MF-0650	Pre-taped Masking Film Refill	650mm x 33m	\$7.95	\$6.10
MF-0650D	Pre-taped Masking Film & Dispenser	650mm x 33m	\$11.90	\$9.85
MF-1800	Envo Pre-taped Masking Film Refill	1800mm x 33m	\$15.70	\$13.95
MF-1800D	Envo Pre-taped Masking Film & Dispenser	1800mm x 33m	\$17.20	\$14.75



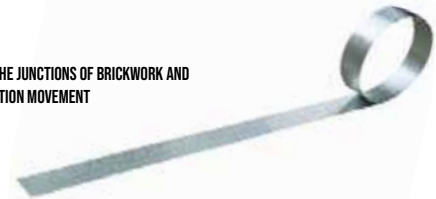
Provides perfect protection for walls, doors, windows, cabinets, flooring, furniture - Indoor or outdoor use.
Self static - clings to protected surfaces
Corona Treated - assists overspray adhere to masking film
20mm wide tape for improved adhesion area
10micron thick for better strength



Provides perfect protection for walls, doors, windows, cabinets, flooring, furniture - Indoor or outdoor use.
Self static - clings to protected surfaces
Corona Treated - assists overspray adhere to masking film
20mm wide tape for improved adhesion area
10micron thick for better strength

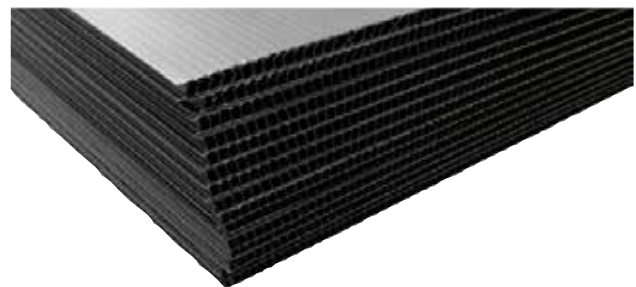
SLIPJOINT

SLIPJOINTS ARE INSTALLED IN THE JUNCTIONS OF BRICKWORK AND CONCRETE TO ALLOW LOW-FRICTION MOVEMENT



PRODUCT CODE	DIMENSIONS	PRICE EXCL. GST	
SLIPJOINT - PRE-GREASED GALVANISED STEEL STRIPS		1-9	10+
SJ-G110-18	110mm x 1.8m x .4mm	\$22.75	\$19.90
SJ-G150-18	150mm x 1.8m x .4mm	\$29.30	\$25.60
SJ-G230-18	230mm x 1.8m x .4mm	\$45.75	\$40.05
SJ-G270-18	270mm x 1.8m x .4mm	\$53.70	\$47.00
SJ-G110-30	110mm x 3m x .4mm	\$31.50	\$27.55
SJ-G150-30	150mm x 3m x .4mm	\$43.25	\$37.85
SJ-G230-30	230mm x 3m x .4mm	\$68.25	\$59.75
SJ-G270-30	270mm x 3m x .4mm	\$80.05	\$70.05

COREFLUTE BOARD



PRODUCT CODE	DIMENSIONS	PRICE EXCL. GST		
COREFLUTE BOARD		1-19	20-199	200+
CF-2.8B	1200x1800x2.8m	\$7.95	\$6.45	\$4.80

PACKAGING & STRAPPING MATERIALS

STRETCH FILM



PSF-H23



PSF-H23B



BSF-300



PSFD

PRODUCT CODE	DESCRIPTION	DIMENSIONS	PRICE EXCL. GST
STRETCH FILM & DISPENSERS		(MM X M)	EACH
PSF-H23	Pallet Stretch Film H23	500 x 350	\$19.50
PSF-H23B	Pallet Stretch Film H23 - Black	500 x 350	\$25.95
BSF-300	Bundling Stretch Film	100 x 300	\$11.90
PSFD	Pallet Stretch Film Dispenser		\$119.60
BSFD	Bundling Stretch Film Dispenser		\$13.60

STEEL STRAPPING & ACCESSORIES



SST



SSC



SSC-19



SSS-19



SSD-19

PRODUCT CODE	DESCRIPTION	DIMENSIONS	PRICE EXCL. GST
STEEL STRAPPING & ACCESSORIES		(MM)	EACH
SSZC-19	Zinc Coated Strapping	19mm x 230m	\$74.20
SSD-19	Steel Strapping Dispenser	For 19mm	\$168.50
SST	Steel Strapping Tensioner	12-19mm	\$169.90
SSC-19	Steel Strap Crimper	For 19mm	\$79.80
SSC	Steel Strap Cutter	-	\$67.40
SSS-19	Strapping Seals	For 19mm	\$64.75

POLY STRAPPING & ACCESSORIES



PS-MB19

PST-12



PS-19HD

PRODUCT CODE	DESCRIPTION	DIMENSIONS	PRICE EXCL. GST
POLY STRAPPING & ACCESSORIES		(MM)	EACH
PS-19HD	Poly Hand Strapping	19mm x 1000m	\$75.50
PS-MB19	Metal Buckles	For 19mm	\$79.90
PST-12	Poly Strapping Tensioner / Cutter	12-19mm	\$134.85
PSC-12	Poly Strapping Crimper	12-19mm	\$148.60

REPAIR MORTARS & LEVELLING COMPOUNDS

FAIRING COAT MORTAR

[AFTEK]

Fairing Coat Mortar is a fine textured, fast setting and formulated for repairing damaged concrete where only a thin layer is required.

FEATURES:

- Fast setting
- Smooth textured surface
- Excellent bond to concrete
- Easy to use
- Durable repair
- Does not require an additional coating

Similar Products: Parchem Renderoc FC, BASF Master Emaco N 5100, Sika Monotop FC



PRODUCT CODE	COLOUR	WEIGHT (KG)	PRICE EXCL. GST		
			1-29	30-63	64+
FC-PG20	Grey	20	\$60.25	\$53.35	\$50.80
FC-PW20	White	20	\$79.90	\$74.70	\$69.70

PENAPATCH REPAIR MORTAR HB

[AFTEK]

Aftek High Build HB Repair Mortar is a fine filled, light weight cementitious mortar, specifically formulated for the repair of damaged concrete where a high build is required. It has an exceptional adhesion to concrete and masonry materials with negligible shrinkage and allows build of 70mm without slump. It can be applied on vertical surfaces with a minimum application depth of 12mm, and is suitable for vertical and overhead work.

Similar Products: Parchem HB



PRODUCT CODE	WEIGHT (KG)	PRICE EXCL. GST		
		1-29	30-63	64+
RM-PHB	18	\$65.50	\$58.70	\$49.80

PENAPATCH STRUCTURAL HB80

[AFTEK]

Penapatch Structural HB80 is a high strength, high build shrinkage compensated structural repair mortar. Structural HB80 is designed to be used for vertical or horizontal applications. Structural HB80 has high, ultimate compressive strength and high abrasion resistance.

FEATURES:

- Eliminates the need for formwork
- Ultimate compressive strength
- Easy to use - simply add water & mix
- Internal & external applications



PRODUCT CODE	WEIGHT (KG)	PRICE EXCL. GST		
		1-29	30-63	64+
RM-PHB80	20	\$76.50	\$69.45	\$62.40

TRULEVEL ECONO PRO

[AFTEK]

TruLevel Econo Pro is a specially formulated floor levelling compound designed to achieve a smooth flat surface for application of carpet, tiles, vinyl and floating floor systems.

- Foot traffic ready in 3-4 hrs
- Floor covering ready in 24 hrs
- Can be applied 2-30mm in a single application
- Large area can be reinstated in relatively short time periods
- No cracking or delamination
- Eliminates the need for sand/cement screeds
- Ready to use, just add water
- Suitable for commercial, domestic and light industrial applications



PRODUCT CODE	WEIGHT (KG)	PRICE EXCL. GST		
		1-29	30-63	64+
FLOOR LEVELLING				
FL-TEP	20	\$39.50	\$36.20	\$33.70

ACS MAESTRO SELF-LEVELLING COMPOUND

[APPLIED CONCRETE SOLUTIONS]



ACS Floor Maestro Self Levelling Compound is a commercial grade cementitious self-levelling compound with outstanding flow, workability and bonding properties. ACS Floor Maestro Self Levelling Compound is suitable where a thickness of feather edge to 50mm is required and can be used over new or existing interior and exterior floors that have been properly prepared and primed with CCS Super Polymer

PRODUCT CODE	WEIGHT (KG)	PRICE EXCL. GST		
		1-29	30-59	60+
FL-ACSM	20	\$39.50	\$36.20	\$33.70

GROUT

NON SHRINK PENATECH HS GROUT

[AFTEK]

- Aftek Penatech HS Grout is a high strength, precision Class C grout. Non-shrink dual expansion compensates for shrinkage in both the plastic and hardened state.
- High early and ultimate strength
 - Exceptional flow characteristics, good flow retention
 - High ultimate strength (28 days)
 - Shrinkage compensated in both plastic and hardened states
 - Non metallic
 - Can be dry packed
 - Complies with ASTM C1107-91 and CRDC-621-82
 - Good impact and thermal resistance
 - Ready to use, just add water/thermal resistance



PSF-H23B

PRODUCT CODE	WEIGHT	PRICE EXCL. GST		
	(KG)	1-29	30-63	64+
CG-PHS	20	\$42.80	\$38.90	\$34.20

NON SHRINK PENATECH GP GROUT

[AFTEK]

Aftek Penatech GP Grout is a high strength, precision Class C grout. Non shrink dual expansion compensates for shrinkage in both the plastic and hardened state.

- High early and ultimate strength
- Exceptional flow characteristics, good flow retention
- High ultimate strength (28 days)
- Shrinkage compensated in both plastic and hardened states
- Non metallic
- Can be dry packed
- Complies with ASTM C1107-91 and CRDC-621-82
- Good impact and thermal resistance



PRODUCT CODE	WEIGHT	PRICE EXCL. GST		
	(KG)	1-29	30-63	64+
CG-PGP	20	\$39.95	\$37.50	\$32.10

PENAFLOW PANEL GROUT

[AFTEK]

Aftek Penaflow Panel Grout is a Class A construction grout based on a blend of Portland cement, high quality graded aggregates and additives, which control expansion whilst the grout is in a plastic state. It is an ideal GP grout, for all general purpose grouting under precast panels, filling cavities, filling core holes and more.

It is ideal as a general purpose grout and can be dry packed, trowelled or poured. It requires only water and mechanical mixing to prepare it for use. With a final set of 2.5 hours in dry pack consistency, it is ideal for most general cementitious grouting applications. Aftek Penaflow Panel Grout has a compressive strength at 7 days of over 40MPa, and at 28 days over 55MPa.

Features:

- Shrinkage compensated
- Gaseous experiences while in plastic state eliminate shrinkage and settlement
- Non metallic iron content eliminates shaving
- Can be dry packed, rended, trowelled and paved
- Pumpable for larger applications
- Grouting from 20mm to 150mm in a single application
- Australian made
- Ideal for:

- General purpose grout
- Grouting underneath precast panels and concrete sections
- Anchor bolts filling
- Filling in cavities, gaps and base infills
- Filling in core holes created in panels by core drilling
- Suitable for block work in core filling



PRODUCT CODE	WEIGHT	PRICE EXCL. GST		
	(KG)	1-29	30-63	64+
PG-PG20	20	\$17.10	\$15.60	\$14.50

ACS CONSTRUCTION GROUT

[APPLIED CONCRETE SOLUTIONS]



ACS Construction Grout can be used for general purpose grouting where it is necessary to eliminate shrinkage. However it is specifically designed as a 'dry pack' or 'rammable' grout. It is a versatile, non-shrink cement based grout. It is supplied as a ready to use powder, which is made up of a blend of Portland cement, pozzolanic material, graded fillers and chemical additives. Great for hole patching and formwork defects.

PRODUCT CODE	WEIGHT	PRICE EXCL. GST		
	(KG)	1-29	30-59	60+
CG-ACS	20	\$26.00	\$23.40	\$20.15

RETARDERS & CURING COMPOUNDS

ALIPHATIC ALCOHOL

This water-based, aliphatic alcohol finishing compound is designed for use on freshly poured and screeded concrete, to reduce the evaporation of water during finishing operations. This product will not normally interfere with subsequent toppings, tiling, render, surface coatings etc. that are often used in industry.



PLEASE NOTE: ALIPHATIC ALCOHOL is NOT a curing compound.

FEATURES:

- Water-based
- Reduces shrinkage cracking by slowing the evaporation of water from the concrete surface
- Improves finishing properties in adverse weather conditions
- Does not interfere with following trades

PROPERTIES				
Appearance	Blue Liquid, Dries Clear			
Dilute Curecon AA:Water	1:9			
Application	Spray			
Coverage per Litre	5-7m ²			
PRODUCT CODE	VOLUME	PRICE EXCL. GST		
ALIPHATIC ALCOHOL	(L)	1-5	6-31	32+
CC-20AA	20	\$134.80	\$119.90	\$98.95

WE ALSO SUPPLY ALIPHATIC ALCOHOL IN 200L AND 1000L DRUMS

CURECON A

[AFTEK]

CURECON A is an acrylic, water-based curing compound is a Class D, Type 1 curing compound for use on new concrete that facilitates maximum moisture retention through the curing period to maximise concrete strength and durability. Curecon A is certified to comply with Australian Standard AS 3799.



FEATURES:

- Reduces the likelihood of surface cracking or dusting
- Easy to use, eliminates messy water curing or polythene film.
- Complies with Green Star Office Design V3 IEQ-13
- Low odour, no ventilation requirement
- No stringent safety requirements

PROPERTIES	
Appearance	Milky Liquid
Drying Time (25°C)	1.5-2 hrs
Application	Spray/Roller
Coverage per Litre	5m ²

PRODUCT CODE	VOLUME	PRICE EXCL. GST		
CURECON A	(L)	1-5	6-31	32+
CC-20A	20	\$269.30	\$252.50	\$235.70

WE ALSO SUPPLY CURECON A IN 200L AND 1000L DRUMS

SLAB CLAD R

Slab Clad R is a membrane-forming concrete curing compound that is based on C5 resin and combined with performance-enhancing additives.



When applied to freshly laid concrete, Slab Clad R forms a surface film that enables a high rate of moisture retention – assisting in the development of strength, abrasion resistance and durability.

Slab Clad R is a Type 1-D, Class B curing compound, achieving >95% moisture retention and complying with AS 3799-1998 (Appendix B). Slab Clad R conforms to Department of Transport and Main Roads MRT S70.

FEATURES

- Environmentally friendly, water-based formula
- Provides rapid film formation
- Reduces the likelihood of cracking or dusting on the concrete surface
- Easy to use – eliminates messy water curing or the need for polyethylene film

PRODUCT CODE	VOLUME	PRICE EXCL. GST		
SLAB CLAD R	(L)	1-5	6-31	32+
CC-20SC	20	\$187.50	\$177.75	\$162.60

WE ALSO SUPPLY SLAB CLAD R IN 200L AND 1000L DRUMS

PRIME EVAPLOC

[PRIME EXPOSURE]

Prime Evaploc is a water soluble liquid when sprayed on curing concrete creates a plastic film that retards water evaporation in setting concrete. This greatly reduces the chances of plastic shrinking (known as hairlines) while making the concrete more workable for an extended period.



PRODUCT CODE	VOLUME	PRICE EXCL. GST	
PRIME EVAPLOC	(L)	1-9	10+
EVAPLOC	20	\$166.80	\$161.70

CURING & REPAIR COMPOUNDS & ACIDS

CURECON PW SMARTWAX

[AFTEK]

CURECON PW is a Class A water-based wax curing compound used to retain moisture in concrete for effective curing. Used for all concrete but specifically designed for use in mass concrete structures such as roadwork, bridgework, civil construction and runways. Curecon PW Smatwax dries rapidly and becomes resistant to wash off in about 15 minutes after application.

- Reduces surface shrinkage and cracking by eliminating moisture loss from exposed surfaces.
- Increases concrete strength & dusting resistance
- Rapid film formation
- Shower resistant at 15 minutes
- Meets Green Star rating complies with Office Design V3 IEQ-13. Low VOC, non-flammable; non toxic
- Eliminated the need for damp hessian, sand or polythene



PROPERTIES	
Appearance	Pink Milky Liquid, Dries Clear
Drying Time (25°C)	15-20 minutes
Application	Spray/Roller
Coverage per Litre	5m ²
Class	1D, Class D

PRODUCT CODE	VOLUME	PRICE EXCL. GST	
CURECON PW SMARTWAX	(L)	1-9	10+
CC-20PW	20	\$142.30	\$133.40

CRACKFIX

[BESCON]

Specially designed for minor crack repairs on concrete and masonry surfaces. Bescon CrackFix is:

- Non-toxic
- Non-hazardous
- Flexible
- It's flexibility allows for expansion and contraction of substrates



PRODUCT CODE	WEIGHT	PRICE EXCL. GST	
CRACKFIX	KG	1-3	4+
CFIX-1	1	\$63.56	\$59.90

PRIME RETARDER

[PRIME EXPOSURE]

Prime Retarder is a water based chemical retarder used to expose the aggregate in horizontal/vertical concrete surfaces.

Prime Retarder delays the set of the surface concrete slurry to a controlled depth. It is applied using a pressure spray unit after the concrete has been finished. It does not stop the set of the main concrete. The Retarded concrete slurry is easily removed by a high pressure washer from 12-24 hours (subject to weather conditions) after Prime Retarder has been applied.



PROPERTIES	
Appearance	Fluoro green liquid
Application	Spray
Coverage	80 to 100 square metres

PRODUCT CODE	VOLUME	PRICE EXCL. GST	
PRIME RETARDER	(L)	1-9	10+
EA-PRIME20	20	\$126.60	\$118.80

HYDROCHLORIC ACID 32%

[FORMULA CHEMICALS]



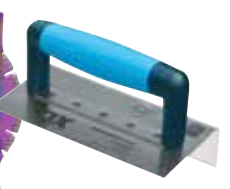
High dilution ratio for economical value.



PRODUCT CODE	VOLUME	PRICE EXCL. GST		
HYDROCHLORIC ACID 32%	(L)	1-3	4-31	32+
HA05	5	\$17.90	\$15.95	\$13.40
HA20	20	\$55.80	\$49.30	\$43.75



ENQUIRE ABOUT OUR RANGE OF
QUALITY
CONSTRUCTION TOOLS & EQUIPMENT



WATERPROOFING

BITFLEX [CROMMELIN]

Bitflex is a waterborne bitumen emulsion modified with a synthetic rubber co-polymer to provide excellent waterproofing properties and good flexibility. VOC Content of Bitflex is below the maximum VOC Content for Architectural and Interior Sealants as required by Green Star Office Design V2,V3, Office Interiors V1.1, and APAS D181.

FEATURES & BENEFITS

- Quick drying
- Flexible
- Non flammable
- Remains watertight under permanently wet conditions
- Strong adhesion
- Easy to apply

AREAS OF USE

- Retaining walls
- Planter boxes
- Terracotta pots
- Gutters



PRODUCT CODE	DESCRIPTION	SIZE	PRICE EXCL. GST
CROMMELIN - BITFLEX		L	EACH
CBB15L	Bitflex - Black	15	\$89.60

CATALYST PWC [CROMMELIN]

Catalyst PWC is a biochemical modified silicate solution that provides long-term waterproofing and durability benefits to concrete. It penetrates into concrete and reacts with free calcium and water to form a water insoluble calcium silicate hydrate gel complex in cracks, pores and capillaries. This gel creates a sub-surface barrier against the ingress of water and contaminants such as chloride ions. Catalyst PWC will seal existing leaking cracks to 2.0mm. In the matrix the product remains active when in contact with water to provide autogenous healing properties to future hairline cracks.

FEATURES & BENEFITS

- Long term performance
- No re-application or future maintenance required
- 100% trafficable after the first watering
- Minimal risk of damage during construction or thereafter
- Fault finding. If stubborn cracks are present they are easy to find and fix
- No lifting of membranes required
- Permanently seals existing cracks to 2.00mm
- Reseals future hairline cracking
- Increases surface hardness
- Allows moisture vapour permeability
- Suitability for tanking applications (positive hydrostatic pressure).

AREAS OF USE

- Building rooftops
- Car parks
- Bridge decks
- Wharf decks Podium decks
- Airport runways, taxiways and aprons
- Potable water tanks
- Viaducts
- Water treatment works
- Cut and cover tunnels
- Rendered surfaces, e.g.: over block work and brickwork
- Façades
- Precast elements & panels



PRODUCT CODE	DESCRIPTION	PRICE EXCL. GST
CROMMELIN - CATALYST PWC		PER LITRE
CCPWCCPL	Catalyst PWC - Clear	\$64.80

ASK ABOUT OUR RANGE OF SEDIMENT CONTROL & DRAINAGE PRODUCTS.....

WATERPROOFING

POND SEALER

[CROMMELIN]

Pond Sealer is a seamless membrane, designed for waterproofing new or renovated fish ponds and water features. Consisting of a heavy-duty synthetic rubber compound, Pond Sealer is a tough elastomeric material that will remain watertight under permanently wet conditions.

FEATURES & BENEFITS

- Remains permanently elastic to accommodate structural movements
- Non-toxic and safe for fish and plants
- Suitable for use in collecting or storing drinking water
- Safe and easy to apply
- Excellent adhesion to substrates
- Quick drying
- Good crack bridging properties
- Easy to repair

AREAS OF USE

- Fish ponds
- Ornamental water features



PRODUCT CODE	DESCRIPTION	SIZE	PRICE EXCL. GST
CROMMELIN - POND SEALER		L	EACH
CPSB15L	Pond Sealer - Black	15	\$223.50

ELASTOSEAL HD

[CROMMELIN]

Elastoseal® HD is a tough elastomeric tanking membrane. It consists of heavy duty, waterborne modified neoprene that may be reinforced with a non-woven polyester fabric. Elastoseal® HD is a composite seamless membrane designed for waterproofing areas subject to ponding and immersion. VOC Content of Elastoseal® HD is below the maximum VOC Content for Architectural and Interior Sealants as required by Green Star Office Design V2, V3, Office Interiors V1.1, and APAS D181.

FEATURES & BENEFITS

- 1300% elongation to allow structural movements
- Excellent adhesion to substrates
- Good chemical resistance
- Easy to repair
- Reinforce for mechanical strength & puncture resistance
- Water run-off is non-toxic
- Remains permanently elastic
- Does not contain isocyanates
- 24 hour cure

AREAS OF USE

- Basement car parks
- Plaza areas
- Retaining walls
- Landscaped decks
- Planter boxes
- Grey water & sewerage tanks
- Roof areas subject to regular ponding
- Decorative pools



PRODUCT CODE	DESCRIPTION	SIZE	PRICE EXCL. GST
CROMMELIN - ELASTOSEAL HD		L	EACH
CEHDB15L	Elastoseal HD - Black	15	\$215.20



.....REQUEST A COPY OF OUR SEDIMENT CONTROL & DRAINAGE CATALOGUE

FLOORING TREATMENTS

WB2K

[CROMMELIN]

WB2K is a two component waterborne epoxy sealer that combines the excellent adhesion and toughness of epoxy resins with the advantages of using water as a carrier. VOC Content of WB2K is below the maximum VOC Content for Architectural and Interior Sealants as required by Green Star Office Design V2, V3, Office Interiors V1.1.

FEATURES & BENEFITS

- Tough impervious coating with a low/semi gloss finish
- Excellent adhesion to damp or dry surfaces
- High chemical resistance, including oils, fats and solvents
- Simple to use with 1:1 mixing ratio
- Non-toxic and non-flammable
- Easily cleaned up with water
- Easy to apply by brush, roller or spray
- Chemical resistant

AREAS OF USE

Controlling rising damp prior to application of:

- Waterproofing membranes
- Other coatings

Coating of concrete floors in:

- Workshops
- Food Processing
- Hospitals & Laboratories



PRODUCT CODE	DESCRIPTION	SIZE	PRICE EXCL. GST
CROMMELIN - WB2K		L	EACH
CWB2KG14L	WB2K - Part 1 - Grey	4	\$148.75
CWB2KG24L	WB2K - Part 2 - Grey	4	\$148.75

LITHIUM DENSIFIER

[CROMMELIN]

Crommelin® Lithium Densifier is a superior clear concrete surface densifier formulated to harden concrete surfaces, increase abrasion resistance and reduce dusting.

The penetrating lithium silicate formula reacts with the concrete to produce insoluble calcium silicate hydrate within the concrete pores.

Safer, faster and easier to apply than conventional sodium or potassium silicate hardeners, Crommelin® Lithium Densifier will not trigger or contribute to surface ASR (Alkali Silicate Reaction).

FEATURES & BENEFITS

- Improves performance, appearance and light reflectance of new or old concrete.
- Strengthens and dustproofs new and old concrete.
- Increases concrete surface strength by up to 6 times.
- Fast penetration and reaction, producing high initial and ultimate hardness.
- Easy, one step application.
- No scrubbing.
- No flushing.
- No caustic wastewater.
- Surface sheen improves with traffic and maintenance.
- Breathable and UV stable. Will not yellow, discolour, peel or flake.
- VOC compliant. Non-flammable. Non-toxic. Low odour.
- Cures quickly. Most floors can be opened to traffic within one hour of treatment.
- Suitable for polishing.
- Speeds up polishing process.

AREAS OF USE

- Concrete Floors
- Warehouses floors
- Shopping Centres
- Interior and Exterior



PRODUCT CODE	DESCRIPTION	SIZE	PRICE EXCL. GST
CROMMELIN - LITHIUM DENSIFIER		L	EACH
CLDC15L	Lithium Densifier - Clear	15	\$249.70

FLOORING TREATMENTS

MAXIMUM GRIP

[CROMMELIN]

Crommelin® Maximum Grip is a heavy duty textured coating for concrete surfaces where a slip resistive finish is required. Perfect for the demarcation of areas, as per Australian workplace safety signage requirements

FEATURES & BENEFITS

- Heavy duty slip resistive finish.
- Maximum substrate adhesion and high durability.
- Easy application and repair.
- UV stable – interior and exterior application.
- Fast drying.

AREAS OF USE

Grey:

- Stair wells, plant rooms, sloping surfaces, workshop floors, warehouses and concrete areas.

Clear:

- For areas such as steps, ramps and where a clear slip resistive coating is required.



PRODUCT CODE	DESCRIPTION	SIZE	PRICE EXCL. GST
CROMMELIN - MAXIMUM GRIP		L	EACH
CMGG4L	Maximum Grip - Grey	4	\$93.90
CMGC4L	Maximum Grip - Clear	4	\$93.90

HD CLEANER

[CROMMELIN]

HD Cleaner is a general purpose degreaser and cleaner designed to remove grease, grime and dirt etc, from a variety of surfaces such as metal, wood and concrete.

FEATURES & BENEFITS

- Fast-acting
- Rinsable with water

AREAS OF USE

- Degrease metal prior to priming
- Degrease concrete surfaces prior to sealing
- Degreasing of car engines
- Paint brush restorer



PRODUCT CODE	DESCRIPTION	SIZE	PRICE EXCL. GST
CROMMELIN - HD CLEANER		L	EACH
CHDC15L	HD Cleaner	15	\$156.25

CRETE CLEAN

HEAVY DUTY CLEANER & CONCRETE RESIDUE REMOVER

Crete Clean is an advance in the chemistry of removing concrete and grout residues from mixing and transportation equipment.

Features & Benefits:

- Crete Clean has very low COD and BOD levels making it an excellent choice for areas where waste water systems are used. It is however recommended that pH readings be taken to ensure the waste water pH readings comply with water board.
- Crete Clean is readily biodegradable, phosphate free and does not contribute to the eutrophication of waterways.
- No acid burns, no fuming and is non dangerous goods for land transport.

PRODUCT CODE	VOLUME	PRICE EXCL. GST	
CRETE CLEAN		1-3	4+
AP139-5	5 Litre	\$62.50	\$55.20
AP139-20	20 Litre Drum	\$169.50	\$158.20



EPOXY

MEGAPOXY 36 - GUN GRADE [MEGAPOXY]

MegaPoxy 36 Gun Grade is a gunnable road marker adhesive. It is a two component epoxy composition for bonding ceramic and plastic reflective markers to bitumen and concrete surfaces.



PRODUCT CODE	DESCRIPTION	SIZE	PRICE EXCL. GST	
MEGAPOXY 36 - GUN GRADE			1-4	5+
M-36-0.6	MegaPoxy 36 - Gun Grade	600ml	\$67.50	\$58.60
M-36-4	MegaPoxy 36 - Gun Grade	4L	\$158.70	\$142.65
EPOXY DISPENSING GUN			1-2	3+
M-36GUN	Dispensing Gun for Epoxy		\$178.60	\$154.35
EPOXY TUBES - MIXING HEAD			1-29	30+
M-36MIX	Mixing Head for Epoxy Tubes		\$12.20	\$10.50

MEGAPOXY P1 [MEGAPOXY]

MEGAPOXY P1 is a two component gap filling adhesive based on DGEBA epoxy resin and carbonate free filler. Easy to use, this product sets after mixing with excellent properties for a wide range of applications, such as:



- Bonding**
- Precast concrete articles
 - Metal to metal or concrete
 - Grouting bolts
 - Natural stones
 - Bricks and ceramics
 - Bonding compressed cement sheet
- Filling and Repair**
- Concrete pipes and tanks Fibreglass articles

- Fibreglass articles
- Concrete floors and stairs
- Concrete columns
- Insitu formed concrete
- Flush-filling countersunk screws in fibre cement sheet

PROPERTIES	
Appearance	White
Usable life at 25°C	60 minutes
Minimum cure time	24h at 25°C
Full cure time	4 days at 25°C
Application	Thixotropic Paste
Density per Litre	1.6 kg

PRODUCT CODE	VOLUME	PRICE EXCL. GST	
GAP FILLING EPOXY PASTE		1-4	5+
M-P14	4	\$139.85	\$115.95
M-P120	20	\$380.25	\$348.60

MEGAPOXY PM [MEGAPOXY]

MEGAPOXY PM is specially formulated non-sag epoxy filling paste and adhesive. This easy to use two-part epoxy product sets after mixing with excellent properties ideally suited for the following applications.



- Bonding**
- Precast concrete articles
 - Grouting bolts
 - Natural stones
 - Bricks and ceramics
 - Metals

- Concrete floors and stairs
- Concrete columns
- Insitu formed concrete screws in fibre cement sheet

- Filling and Repair**
- Concrete pipes and tanks
 - Fibreglass articles

PROPERTIES	
Appearance	White, Black or Neutral
Application	Thixotropic paste
Minimum cure time	12h at 25°C
Full Cure time	4 days at 25°C

PRODUCT CODE	COLOUR	VOLUME	PRICE EXCL. GST	
GAP FILLING EPOXY PASTE		(L)	1-4	5+
M-PMWH4	White	4	\$127.20	\$116.60
M-PMGR4	Grey	4	\$127.20	\$116.60
M-PMWH20	White	20	\$309.80	\$285.60
M-PMGR20	Grey	20	\$309.80	\$285.60

EPOXY RESIN ADHESIVE

MEGAPOXY PF [MEGAPOXY]

Megapoxy PF is a rapid set epoxy adhesive which sets in three to five minutes and attains more than half its ultimate strength within 15 minutes of mixing. Megapoxy PF "hardens-as-you-hold-it" for immediate on the spot emergency repairs to tanks, pipes, machinery, concrete structures etc.



PROPERTIES	
Appearance	White, Dark Grey
Working life at 25°C	3 minutes
Minimum cure time	1h at 25°C
Full cure time	2h at 25°C
Application	Thixotropic Paste

PRODUCT CODE	COLOUR	VOLUME	PRICE EXCL. GST	
EPOXY PASTE ADHESIVE		(L)	1-4	5+
M-PFWH1.5	White	1	\$86.40	\$74.40
M-PFWH4	White	4	\$161.50	\$142.75
M-PFGR4	Grey	4	\$161.50	\$142.75

MEGAPOXY 69 [MEGAPOXY]

Megapoxy 69 is a clear non-sag gel type epoxy structural adhesive for bonding metals to metals, metals to concrete and masonry, assembly of granite and marble fabrications, and many other civil engineering applications requiring superior bond strengths. Megapoxy 69 is also ideal for structural timber joinery and applications in the marine environment. It retains its high strength after repeated high impact forces.



PROPERTIES	
Appearance	White, Natural
Application	Thixotropic Paste
Work life at 25°C	45 min
Minimum Cure Time	12h at 15°C
25°C	24 hours
35°C	12 hours

PRODUCT CODE	VOLUME	PRICE EXCL. GST		
HIGH STRENGTH EPOXY ADHESIVE		(L)	1-4	5+
M-691	1	\$64.80	\$55.70	
M-694	4	\$151.20	\$134.45	

CHEMICAL INJECTION SYSTEM VF22PRO+

VF22PRO+ is a top-performing 'new generation polymer' anchoring system with very low VOC content offering very high performance in both cracked & uncracked concrete. Along with a very good performance under seismic conditions (C1 & C2). VF22PRO+, one of the most versatile anchoring systems in our range. VF22PRO+ mixes blue and fades to grey indicating the open working time. Assessed and tested to meet the requirements for NCC and AS 5216 standards for bonded anchoring and post-installed connections.



PRODUCT CODE	VOLUME	PRICE EXCL. GST		
ADHESIVE INJECTION	(ML)	1-11	12-47	48+
CH-VF22	410			

EF500R+ HIGH PERFORMING STRUCTURAL ADHESIVE INJECTION

EF500R+ is a two-part component high strength epoxy base chemical designed to anchor threaded rod and post-installed rebar into concrete.

Epoxy is suitable to be used when holes are drilled using a diamond core drill. Recommended for use in areas of high temperatures – has a longer working time so steel elements can be properly seated at bottom of deep holes.



PRODUCT CODE	VOLUME	PRICE EXCL. GST		
ADHESIVE INJECTION	(ML)	1-11	12-47	48+
EF500R	585	\$68.90	\$54.45	\$49.30

ADHESIVE & SEALANTS

FLEX-PRO PU

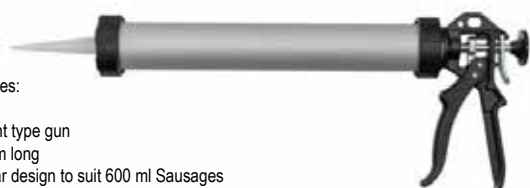
Aftek Flex-Pro PU 600 ml sausage. Flex-Pro Polyurethane Sealant is suitable for a wide range of construction substrates. It is fast curing, has a short skinning time, low VOC content and is designed for use in a wide range of construction situations. Also available in white and black.



PRODUCT CODE	SIZE	PRICE EXCL. GST		
		1-19	20-59	60+
FLEX-PRO PU		1-19	20-59	60+
S-FPUG	600ml	\$12.95	\$11.45	\$10.70

TUBULAR SEALANT CAULKING GUN

This tubular sealant caulking gun is designed to take 600ml sausages of sealant. It has a heavy duty steel construction and a comfortable pistol grip making it easy to use and economical. It assists in distributing material evenly and it is designed to handle all standard size sausages.



Features:

- Sealant type gun
- 380mm long
- Tubular design to suit 600 ml Sausages
- Quick release lever
- Aluminium tube
- Includes nozzles
- Simple and reliable operation
- Professional Quality

PRODUCT CODE		PRICE EXCL. GST	
		1-3	4+
TUBULAR SEALANT CAULKING GUN		1-3	4+
OX-P040215	Tubular Sealant Caulking Gun	\$69.80	\$62.75

CONSTRUCTION ADHESIVE

Aftek Ultragrip Construction Adhesive is a one part adhesive for use in: bonding timber together, timber skirtings, architraves, plaster board, most panel materials (including wall panel) to timber or metal studsto concrete and masonry, including polystyrene foam to timber. Designed for bonding, particle board, plywood, tongue-groove and CFC sheet flooring to floor joists.

PRODUCT CODE	SIZE	PRICE EXCL. GST		
		1-19	20-59	60+
CONSTRUCTION ADHESIVE		1-19	20-59	60+
CA-U300	300g	\$5.50	\$4.80	\$4.50

FLEX-PRO 50-FC-S

Flex Pro 50FC is a one component high-performance construction joint polyurethane sealant/adhesive with high mechanical strength and excellent resistance to weathering. It is suitable for sealing and bonding a wide range of substrates, and has a short skinning time. Also available in white and black.



PRODUCT CODE	SIZE	PRICE EXCL. GST		
		1-19	20-59	60+
FLEX-PRO 50-FC-S		1-19	20-59	60+
S-FC50	600ml	\$14.45	\$13.10	\$11.70

CAULKING GUN - SKELETON TYPE 230MM

This skeleton type caulking gun is ideal for use with silicone and sealant tubes for sealing gaps. It has a heavy duty construction and a comfortable pistol grip making it easy to use and economical. It assists in distributing material evenly and it is designed to handle all standard cartridges.



Features:

- Economical skeleton type gun
- Strong steel construction
- 230mm long
- Comfortable trigger grip
- Simple and reliable operation

PRODUCT CODE		PRICE EXCL. GST	
		1-5	6+
SKELETON CAULKING GUN		1-5	6+
OX-P104109	Skeleton Caulking Gun - 230mm	\$16.50	\$12.95



CONCRETE, CEMENT & PAINTS

CONCRETE & CEMENT BAGS



CPBLM100



CPDMM100

PRODUCT CODE	DESCRIPTION	WEIGHT	PRICE EXCL. GST	
CONCRETE & CEMENT BAGS		(KG)	1-71	72+
CPCEM102	General purpose cement	20	\$9.90	\$9.50
CPBLM100	Builders cement	20	\$9.80	\$9.40
CPCEM104	Off white cement	20	\$12.95	\$12.50
CPDMM100	Concrete mix	20	\$9.40	\$8.95
CPDMM104	Sand and cement	20	\$9.30	\$8.95
CPDMM101	Quick set concrete mix	20	\$9.95	\$9.60

COLD-MIX ASPHALT

Suitable for small or temporary repairs to footpaths, access ramps, pot-holes, storage areas and site works.
Readily Compactible



PRODUCT CODE	DESCRIPTION	PRICE EXCL. GST	
COLD-MIX ASPHALT		1-49	50+
A-CM20	Cold-Mix Asphalt - 20KG	\$49.60	\$41.95

SPOT MARKING PAINT

[ALLCRAFT]

COLOURS AVAILABLE:

- BLUE
- PINK
- YELLOW
- WHITE
- ORANGE
- GREEN
- RED



PRODUCT CODE	STYLE	VOL	PRICE EXCL. GST		
SPOT MARKING PAINT		(OZ)	1-11	12-119	120-359
MSMP350	Allcraft Spot Marking Paint	350gm	\$5.70	\$4.80	\$3.95

IF YOU ARE NOT HAPPY WITH THE QUALITY, WE WILL REFUND YOU.

HYDRATED LIME

Hydrated Lime is mainly used in conjunction with cement for mortar, render and plaster, but also has a multitude of uses around the garden or farm. Often referred to as slaked lime, it is frequently used for soil stabilisation and is ideal for controlling pH levels in your garden. Ideal for pH control in your garden. Can be used to make traditional 'white wash'. Can be used as a White Ant deterrent. Excellent for drying and firming wet ground and natural soil paths. Available also in 1 Tonne Bulk Bags.



PRODUCT CODE	DESCRIPTION	WEIGHT	PRICE EXCL. GST	
HYDRATED LIME		(KG)	1-71	72+
CPLIZ104	Hydrated Lime	20	\$19.40	\$18.60

NATURAL GYPSUM

Soil Conditioner & clay breaker

- 100% organic and natural
- Improve soil structure, increase water penetration and increase aeration
- Will not alter pH
- No heavy metal concentrations
- Valuable source of sulphur & calcium
- Available in 20kg bags or 1 Tonne bulk bags



PRODUCT CODE	DESCRIPTION	PRICE EXCL. GST		
NATURAL GYPSUM		1-9	10-49	50+
NG-20	Natural Gypsum - 20KG	\$15.95	\$14.05	\$10.90

GALVANISING PAINT

Galvanising Paint gives exceptional premium protection against rust and corrosion, and weathers to the same colour as normal galvanising.

This product is fast drying and ideally suited for touch-up welds and damaged structures or components. It can be used extensively in the maintenance and restoration of damaged or worn galvanised metal.



PRODUCT CODE	DESCRIPTION	PRICE EXCL. GST		
GALVANISING PAINT		1-11	12-119	120+
MSP-SG	Galvanising Paint Aerosol 400g	\$10.10	\$8.90	\$7.65

BULK SUPPLIES

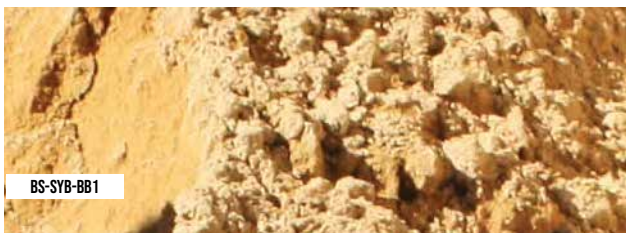
SANDS



WE SUPPLY ALL BULK SUPPLIES IN 1 TONNE BULK BAGS



BS-SFS-BB1



BS-SYB-BB1



BS-SWB-BB1



BS-STB-BB1

PRODUCT CODE	DESCRIPTION	PRICE/TONNE EXCL. GST	
SAND IN 1T BULK BAG		1-3	4+
BS-SCR-BB1	Course River Sand	\$89.50	\$82.00
BS-SYB-BB1	Yellow Brick Sand	\$95.10	\$88.25
BS-WBS-BB1	White Brick Sand	\$105.60	\$99.45
BS-STB-BB1	Tiling Sand	\$100.70	\$94.90

PRICE INCLUDES 1 TONNE BULK BAG

CONCRETE MIX/CORE FILL



BS-CM-BB1

PRODUCT CODE	DESCRIPTION	PRICE/TONNE EXCL. GST	
CONCRETE MIX IN 1T BULK BAG		1-3	4+
BS-CM-BB1	Includes 10mm Agg	\$90.75	\$82.95

PRICE INCLUDES 1 TONNE BULK BAG

SOILS



BS-SGM-BB1

PRODUCT CODE	DESCRIPTION	PRICE/M3 EXCL. GST	
SOIL IN 1T BULK BAG		1-3	4+
BS-ST-BB1	Top Soil / Turf Underlay	\$87.80	\$82.50
BS-SGM-BB1	Organic Garden Mix	\$90.65	\$85.60

PRICE INCLUDES 1 TONNE BULK BAG

BLUE METAL AGGREGATE



BS-BMA10-BB1

PRODUCT CODE	DESCRIPTION	SIZE	PRICE/TONNE EXCL. GST	
BLUE METAL AGGREGATE			1-3	4+
BS-BMA10-BB1	Aggregate	10mm	\$76.50	\$69.90
BS-BMA20-BB1	Aggregate	20mm	\$78.00	\$73.25

PRICE INCLUDES 1 TONNE BULK BAG

BULK SUPPLIES

RECYCLED AGGREGATE



BS-RA20-BB1

PRODUCT CODE	DESCRIPTION	SIZE (MM)	PRICE EXCL. GST	
			1-3	4+
AGGREGATE				
BS-RA10-BB1	Recycled Aggregate	10	\$76.90	\$70.85
BS-RA20-BB1	Recycled Aggregate	20	\$81.20	\$75.80

PRICE INCLUDES 1 TONNE BULK BAG

ROADBASE



BS-RCR-BB1

PRODUCT CODE	DESCRIPTION	SIZE (MM)	PRICE EXCL. GST	
			1-3	4+
ROADBASE				
BS-RCR-BB1	Recycled Concrete Roadbase	20	\$92.95	\$87.45

PRICE INCLUDES 1 TONNE BULK BAG



WE CAN ORGANISE DELIVERY OF BULK SUPPLIES AND UNLOAD ON-SITE WITH ONE OF OUR MANY CRANE TRUCKS.

CRUSHER DUST



BS-DMB-BB1

PRODUCT CODE	DESCRIPTION	PRICE/TONNE EXCL. GST	
		1-3	4+
METAL DUST			
BS-DM-BB1	Metal Dust - Blue	\$74.70	\$67.80

PRICE INCLUDES 1 TONNE BULK BAG

CHECK OUT OUR LARGE RANGE OF RETAINING WALL BLOCKS!



	APPIN STONE
	BUSHROCK
	CHARCOAL
	OAKDALE
	PENROSE
	RED ROCK
	YELLOW ROCK

ONLY \$9.90 EACH - CALL TODAY TO ORGANISE DELIVERY

INDEX - ALLCRAFT TRADE SOLUTIONS

ACID - HYDROCHLORIC	39	BULK SUPPLIES - METAL DUST	49
ACS CONSTRUCTION GROUT	37	BULK SUPPLIES - RECYCLED AGGREGATE	49
ACS MAESTRO SELF-LEVELLING COMPOUND	36	BULK SUPPLIES - ROADBASE	49
ADHESIVE - EF500R HIGH PERFORMING STRUCTURAL	45	BULK SUPPLIES - SAND	48
ADHESIVE - ULTRAGRIP CONSTRUCTION	46	BULK SUPPLIES - SOIL	48
ADHESIVE - VF18 FAST CURE	45	BUNDLING STRETCH FILM	35
ADJUSTABLE KICKER - FORMWORK BRACE	21	BUNDLING STRETCH FILM DISPENSER	35
AFS REDIWALL	26	CABLE / ZIP TIES	34
ALCOR DAMPCOURSE	29	CAULKING GUN - SKELETON TYPE	46
ALIPHATIC ALCOHOL - RETARDER	38	CAULKING GUN - TUBULAR SEALANT	46
ALLIGATOR TIES	30	CEMENT - BUILDERS	47
ASHPHALT - COLD-MIX	47	CEMENT - GENERAL PURPOSE	47
BAG/LOOP TIES	22	CEMENT - OFF-WHITE	47
BARCHAIRS - PLASTIC	10	CEMENT & SAND	47
BARCHAIRS - WIRE	10	CIRCULAR CLIP-ON SPACERS	11
BASE PLATES - STEEL	11	CIRCULAR TIE / LIGATURE	14
BIAX FOUNDATION SYSTEM	17	CLEANING CHEMICAL - CRETE CLEAN	43
BISCUIT DOWELS	9	CLEANING CHEMICAL CROMMELIN HD CLEANER	43
BITUMEN FIBRE EXPANSION JOINT	6	CLIP-FAST PLASTIC BAR SPACERS	11
BLOCKS - RETAINING WALL	47	COIL TIE BOLTS	25
BLUE METAL AGGREGATE - BULK SUPPLIES	47	COIL TIE CONES	25
BOGARS	13	COIL TIE ROD	25
BOTTOM DECK COMBINATION SPACERS	12	COIL TIES	25
BRICK VENTS	32	COLD-MIX ASPHALT	47
BRICKTOR	30	CONCRETE LINTEL - HEAVY DUTY	33
BUILDERS CEMENT	47	CONCRETE LINTEL - REGULAR DUTY	33
BUILDERS FILM	4	CONCRETE MIX	48
BULK SUPPLIES - BLUE METAL AGGREGATE	49	CONCRETE MIX - QUICK-SET	47
BULK SUPPLIES - CONCRETE MIX / CORE FILL	48	CONCRETE MIX / CORE FILL - BULK SUPPLIES	4
BULK SUPPLIES - CRUSHER DUST	49	CONCRETE WIRE BLOCK SPACERS	12

INDEX - ALLCRAFT TRADE SOLUTIONS

CONSTRUCTION ADHESIVE - ULTRAGRIP	46	DOWELS - GALVANISED	8
CORFLUTE BOARD	34	DOWELS - PLATE	9
CRACK-A-JOINTS	7	DOWELS - STAINLESS STEEL	8
CRACKFIX - REPAIR COMPOUND	39	DUCT TAPE	4
CRETE CLEAN	43	EF500R HIGH PERFORMING STRUCTURAL ADHESIVE INJECTION	45
CROMMELIN BITFLEX	40	EPOXY - MEGAPOXY 36 - GUN GRADE	44
CROMMELIN CATALYST PWC	40	EPOXY - MEGAPOXY 69	45
CROMMELIN ELASTOSEAL HD	41	EPOXY - MEGAPOXY P1	44
CROMMELIN HD CLEANER	43	EPOXY - MEGAPOXY PF	45
CROMMELIN LITHIUM DENSIFIER	42	EPOXY - MEGAPOXY PM	44
CROMMELIN MAXIMUM GRIP	43	EXPANSION JOINT - ADHESIVE	5
CROMMELIN POND SEALER	41	EXPANSION JOINT - BITUMEN FIBRE	6
CROMMELIN WB2K	42	EXPANSION JOINT - PLAIN	5
CRUSHER DUST - BULK SUPPLIES	49	EXPANSION JOINT - STIFF JOINTS	5
CURECON A - CURING COMPOUND	38	EXPANSION JOINT CAPPING	8
CURECON PW SMARTWAX - CURING COMPOUND	39	EXPANSION KEY JOINTS	7
CURING COMPOUND - CURECON A	38	EXPANSION TIES	30
CURING COMPOUND - CURECON PW SMARTWAX	39	FAIRING COAT MORTAR	36
CURING COMPOUND - SLAB CLAD R	38	FLASHGUARD ALUMINIUM FLASHING	28
DAMPCOURSE - ALCOR	29	FLASHING - ALUMINIUM	28
DAMPCOURSE - POLYFLASH	28	FLAT BAR LINTEL	33
DAMPCOURSE - POLYPROOF	29	FLEX-PRO 50-FC-S	46
DAMPCOURSE - VESFELT	29	FLEX-PRO PU SEALANT	46
DIAMOND DOWELS	9	FLOORING TREATMENT - CROMMELIN LITHIUM DENSIFIER	42
DOWEL CRADLES	9	FLOORING TREATMENT - CROMMELIN MAXIMUM GRIP	43
DOWEL SLEEVES - ROUND	8	FLOORING TREATMENT - CROMMELIN WB2K	42
DOWEL SLEEVES SQUARE	8	FOAM BACKING ROD - CLOSED CELL	28
DOWELS - BISCUIT	9	FORM OIL	23
DOWELS - BLACK	8	FORMBOARDS	20
DOWELS - DIAMOND	9		

INDEX - ALLCRAFT TRADE SOLUTIONS

FORMWORK - PLASTIC FORMWORK	19	HEAD RESTRAINT TIES	31
FORMWORK - SACRIFICIAL STEEL	21	HYDRATED LIME	47
FORMWORK - Z BAR JOINERS	24	HYDROCHLORIC ACID	39
FORMWORK - Z BAR NUT	24	KERB BOWS & PLATES	21
FORMWORK - Z BAR NUT - DOUBLE ARM	24	KEY JOINT CAPPING	8
FORMWORK - Z BAR PLATE	24	KEY JOINTS	6
FORMWORK - Z BAR ROD	24	LIGATURE / CIRCULAR TIE	14
FORMWORK - Z BAR TIE NUT	24	LINTEL - CONCRETE HEAVY DUTY	33
FORMWORK - Z BAR TIE WATERSTOP	24	LINTEL - CONCRETE REGULAR DUTY	33
FORMWORK BRACE - ADJUSTABLE KICKER	21	LINTEL - FLAT BAR	33
FORMWORK CONDUIT	23	LINTEL - V BAR	32
FORMWORK FILLET - PVC	20	MASKING FILM - PRE-TAPED	34
FORMWORK FILLET - TIMBER	20	MASKING TAPE	4
FORMWORK PEGS AND PINS	18	MEGAPOXY 36 - GUN GRADE	44
FORMWORK PINS - HARDWOOD	18	MEGAPOXY 69	45
FORMWORK PINS - STEEL	18	MEGAPOXY P1	44
FORMWORK PLUGS	23	MEGAPOXY PF	45
FORMWORK REBATE BRACKETS	21	MEGAPOXY PM	44
FOUNDATION FRAMES	13	METAL DUST - BULK SUPPLIES	49
FRAME TIES	31	MORTAR - FAIRING COAT	36
GALVANISED MESH	17	MORTAR - PENAPATCH REPAIR HB	36
GALVANISING PAINT	47	MORTAR - PENAPATCH STRUCTURAL HB80	36
GENERAL PURPOSE CEMENT	47	NATURAL GYPSUM	47
GROUT - ACS CONSTRUCTION GROUT	37	OFF-WHITE CEMENT	47
GROUT - NON-SHRINK PENATECH GP	37	PACKAGING - BUNDLING STRETCH FILM	35
GROUT - NON-SHRINK PENATECH HS	37	PACKAGING - BUNDLING STRETCH FILM DISPENSER	35
GROUT - PENAFLOW PANEL	37	PACKAGING - PALLET STRETCH FILM	35
GYPSUM	47	PACKAGING - PALLET STRETCH FILM DISPENSER	35
HANDY ROLLS FILM	4	PACKERS AND SPACERS	23
HARDWOOD PEGS WITH STEEL CAPS	18	PAINT - GALVANISING	47

INDEX - ALLCRAFT TRADE SOLUTIONS

PAINT - SPOT-MARKING	45	PRIME EVAPLOC - RETARDER	38
PALLET STRETCH FILM	35	PRIME RETARDER	39
PALLET STRETCH FILM DISPENSER	35	PVC WATERSTOPS	20
PEGS & WEDGES	8	QUICK-SET CONCRETE MIX	47
PENAFLOW PANEL GROUT	37	RECYCLED AGGREGATE - BULK SUPPLIES	49
PENAPATCH REPAIR MORTAR HB	36	REDIWALL CEMENT STRIP	27
PENAPATCH STRUCTURAL HB80 MORTAR	36	REDIWALL END CAP	26
PENATECH GP NON-SHRINK GROUT	37	REDIWALL EZY-FIT CORNER	26
PENATECH HS NON-SHRINK GROUT	37	REDIWALL FLOOR TRACK	26
PERFORATED STRAPPING	31	REDIWALL H-JOINER	27
PERFORATED STRAPPING TENSIONER	31	REDIWALL J-TRACK	27
PIER TUBE - STEEL BASED	22	REDIWALL SPACER	27
PILE CAGE FEET	11	REDIWALL SQUINT ANGLE	27
PLASTIC BARCHAIRS	10	REDIWALL T-JOINER	26
PLASTIC BUILDERS FILM	4	REDIWALL WALL PANEL	26
PLASTIC FORMWORK - PLASTI-FORM	19	REINFORCING BAR - BLACK	16
PLASTI-FORM PLASTIC FORMWORK	19	REINFORCING BAR - GALVANISED	16
PLATE DOWELS	9	REINFORCING BAR - STAINLESS	16
PLYWOOD - BENDING	20	REINFORCING BAR - THREADED	17
PLYWOOD - STRUCTURAL	20	REINFORCING MESH - GALVANISED	17
POLY HAND STRAPPING	35	REINFORCING MESH - RECTANGULAR RIB	15
POLY STRAPPING CRIMPER	35	REINFORCING MESH - SQUARE RIB	15
POLY STRAPPING METAL BUCKLES	35	REINFORCING MESH - TRENCH RIB	15
POLY STRAPPING TENSIONER / CUTTER	35	RELEASE AGENTS	23
POLYETHYLENE FOAM EXPANSION JOINT - ADHESIVE	5	REPAIR COMPOUND - CRACKFIX	39
POLYETHYLENE FOAM EXPANSION JOINT - PLAIN	5	RETAINING WALL BLOCKS	49
POLYFLASH DAMPCOURSE	28	RETARDER - ALIPHATIC ALCOHOL	38
POLYPROOF DAMPCOURSE	29	RETARDER - PRIME EVAPLOC	38
PREFABRICATION	14	RETARDER - PRIME RETARDER	39
PRE-TAPED MASKING FILM	34	ROADBASE - BULK SUPPLIES	49

INDEX - ALLCRAFT TRADE SOLUTIONS

SACRIFICIAL STEEL FORMWORK	21	STIRRUP / TRENCH MESH LIGATURE	14
SAND - BULK SUPPLIES	48	TAPE - DUCT	4
SAND & CEMENT	47	TAPE - MASKING	4
SEALANT - FLEX-PRO 50-FC-S	46	TERMITE CAPS	32
SEALANT - FLEX-PRO PU	46	THREADED REINFORCING BAR	17
SELF-EXPANDING CORK	6	TIE WIRE	22
SELF-LEVELLING COMPOUND - ACS MAESTRO	36	TIES - ALLIGATOR	30
SKELETON TYPE CAULKING GUN	46	TIES - EXPANSION	30
SLAB CLAD R - CURING COMPOUND	38	TIES - FRAME	31
SLIPJOINT	34	TIES - HEAD RESTRAINT	31
SLIPJOINT CAVITY BRIDGE	34	TIES - VENEER	30
SOFFIT SPACERS	25	TIES - VERTICAL EXPANSION JOINT	31
SOIL - BULK SUPPLIES	48	TIES - WALL	30
SPACERS - BOTTOM DECK COMBINATION	12	TOP DECK COMBINATION SPACERS	12
SPACERS - CIRCULAR CLIP-ON	11	TRENCH MESH LIGATURE / STIRRUP	14
SPACERS - CLIP-FAST PLASTIC BAR	11	TRENCH MESH SPACERS	13
SPACERS - CONCRETE WIRE BLOCK	12	TRENCH MESH SUPPORTS	13
SPACERS - TOP DECK COMBINATION	12	TUBULAR SEALANT CAULKING GUN	46
SPACERS - TRENCH MESH	13	V BAR LINTEL	32
SPOT-MARKING PAINT	47	VENEER TIES	30
STARPOST / SAFETY CAPS	19	VERTICAL EXPANSION JOINT TIES	31
STARPOSTS	19	VESFELT DAMPCOURSE	29
STEEL FORMWORK PINS	19	VF18 FAST CURE ADHESIVE INJECTION	45
STEEL STRAP CUTTER	35	WAFFLE POD PACKAGES	16
STEEL STRAPPING - ZINC COATED	35	WALL TIES	30
STEEL STRAPPING CRIMPER	35	WATERPROOFING - CROMMELIN BITFLEX	40
STEEL STRAPPING DISPENSER	35	WATERPROOFING - CROMMELIN CATALYST PWC	40
STEEL STRAPPING SEALS	35	WATERPROOFING - CROMMELIN ELASTOSEAL HD	41
STEEL STRAPPING TENSIONER	35	WATERPROOFING - CROMMELIN POND SEALER	41
STIFF JOINT - EXPANSION JOINT	5	WATERSTOPS - PVC	20

INDEX - ALLCRAFT TRADE SOLUTIONS

WIRE BARCHAIRS	10
Z BAR JOINERS	24
Z BAR NUT	24
Z BAR NUT - DOUBLE ARM	24
Z BAR PLATE	24
Z BAR ROD	24
Z BAR TIE NUT	24
Z BAR TIE WATERSTOP	24



DISCOVER THE LATEST DEALS

WWW.ALLCRAFT.NET.AU

CONTACT THE TEAM:

HELLO@ALLCRAFT.NET.AU

1300 799 566

22-24 MOUNT ERIN ROAD, CAMPBELLTOWN

NSW, 2560



allcraft
TRADE SOLUTIONS